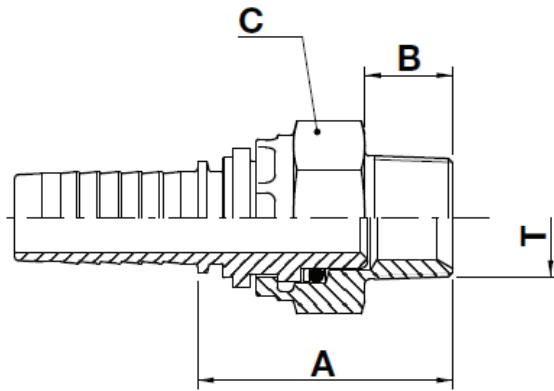
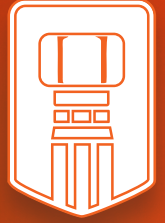


F-PMS

NPT Male Swivel



USE WITH TEXCEL HOSE SERIES

HB3K, HB3K-XT, HB4K, HB4KXT, HB5K, HB5K-XT, HB6K, HBR1, HBR2, HHT2, HS4K, HS5K, HS5KXT, HS6K

TWO-PIECE NO-SKIVE FITTING INSERT

| CODE | SIZE | HOSE | | THREAD SIZE | A | | B | | C | | Box Qty | |
|------------|------|------|----|-------------|------|------|------|------|------|--------|---------|------|
| | | INCH | DN | | [in] | [mm] | [in] | [mm] | [in] | ↻ [in] | | [mm] |
| F-0404-PMS | 04 | ¼ | 6 | ¼" - 18 | 1.44 | 36.5 | 0.55 | 14.0 | 0.67 | 1/16 | 17.0 | 150 |
| F-0606-PMS | 06 | ⅜ | 10 | ⅜" - 18 | 1.65 | 41.5 | 0.55 | 14.0 | 0.87 | 7/8 | 22.0 | 100 |
| F-0808-PMS | 08 | ½ | 12 | ½" - 14 | 2.13 | 54.0 | 0.75 | 19.0 | 1.06 | 1 1/16 | 27.0 | 50 |