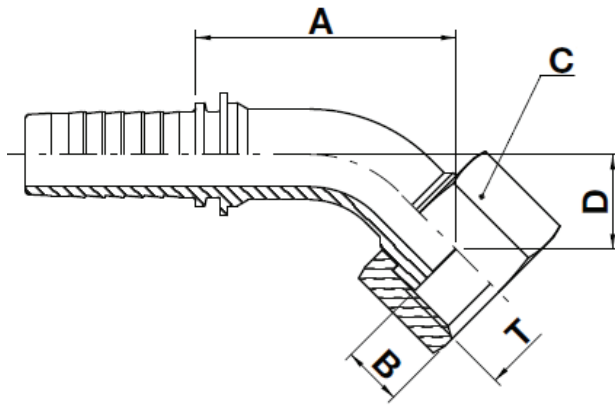


F-OFS45M

ORFS Female Swivel 45° Bent Tube Medium Drop



USE WITH TEXCEL HOSE SERIES

HB3K, HB3K-XT, HB4K, HB4KXT, HB5K, HB5K-XT, HB6K, HBR1, HBR2, HHT2, HS4K, HS5K, HS5KXT, HS6K

TWO-PIECE NO-SKIVE FITTING INSERT

CODE	HOSE			THREAD SIZE	A		B		D		C		Box Qty	
	SIZE	INCH	DN		[in]	[mm]	[in]	[mm]	[in]	[mm]	[in]	↗ [in]		[mm]
F-0404-OFS45M	04	¼	6	9/16" - 18	1.16	29.5	0.31	8.0	0.43	10.9	0.67	11/16	17.0	150
F-0406-OFS45M	04	¼	6	11/16" - 16	1.14	29.0	0.37	9.5	0.44	11.3	0.87	7/8	22.0	150
F-0606-OFS45M	06	3/8	10	11/16" - 16	1.40	35.5	0.37	9.5	0.43	11.0	0.87	7/8	22.0	100
F-0608-OFS45M	06	3/8	10	13/16" - 16	1.52	38.5	0.43	11.0	0.59	15.0	0.95	15/16	24.0	100
F-0808-OFS45M	08	½	12	13/16" - 16	1.69	43.0	0.43	11.0	0.56	14.3	0.95	15/16	24.0	75
F-0810-OFS45M	08	½	12	1" - 14	1.71	43.5	0.53	13.5	0.65	16.6	1.18	1 3/16	30.0	50
F-1010-OFS45M	10	5/8	16	1" - 14	2.34	59.5	0.53	13.5	0.80	20.3	1.18	1 3/16	30.0	40
F-1012-OFS45M	10	5/8	16	1 3/16" - 12	2.38	60.5	0.57	14.5	0.91	23.2	1.42	1 7/16	36.0	25
F-1212-OFS45M	12	¾	19	1 3/16" - 12	2.38	60.4	0.57	14.5	0.87	21.9	1.42	1 7/16	36.0	25
F-1216-OFS45M	12	¾	19	1 7/16" - 12	2.49	63.2	0.58	14.8	0.92	23.3	1.61	1 5/8	41.0	20
F-1616-OFS45M	16	1	25	1 7/16" - 12	2.87	73.0	0.58	14.8	0.96	24.4	1.61	1 5/8	41.0	15
F-2020-OFS45M	20	1 ¼	32	1 11/16" - 12	3.82	97.0	0.58	14.8	1.48	37.5	1.97	2	50.0	10