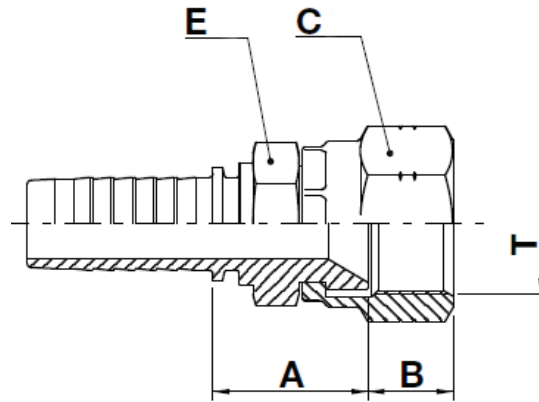




F-KFS

Komatsu Female Swivel 30° Seat



USE WITH TEXCEL HOSE SERIES

HB3K, HB3K-XT, HB4K, HB4KXT, HB5K, HB5K-XT, HB6K, HBR1, HBR2, HHT2, HS4K, HS5K, HS5KXT, HS6K

TWO-PIECE NO-SKIVE FITTING INSERT

CODE	HOSE		THREAD SIZE	A		B		E		C			Box Qty	
	SIZE	INCH DN		[in]	[mm]	[in]	[mm]	[in]	↗[in]	[mm]	[in]	↗[in]		[mm]
F-0414-KFS	04	¼ 6	M14X1.5	0.94	24.0	0.39	10.0	0.75	¾	19.0	0.75	¾	19.0	150
F-0618-KFS	06	⅜ 10	M18X1.5	0.94	24.0	0.45	11.5	0.75	¾	19.0	0.95	15/16	24.0	100
F-0622-KFS	06	⅜ 10	M22X1.5	1.00	25.5	0.55	14.0	0.75	¾	19.0	1.06	1 1/16	27.0	50
F-0822-KFS	08	½ 12	M22X1.5	1.06	27.0	0.55	14.0	0.87	7/8	22.0	1.06	1 1/16	27.0	50
F-0824-KFS	08	½ 12	M24X1.5	1.12	28.5	0.59	15.1	0.95	15/16	24.0	1.26	1 ¼	32.0	30
F-1024-KFS	10	5/8 16	M24X1.5	1.12	28.4	0.59	15.1	0.95	15/16	24.0	1.26	1 ¼	32.0	50
F-1230-KFS	12	¾ 19	M30X1.5	1.30	33.0	0.72	18.3	1.18	1 3/16	30.0	1.42	1 7/16	36.0	25
F-1633-KFS	16	1 25	M33X1.5	1.37	34.7	0.84	21.3	1.26	1 ¼	32.0	1.61	1 5/8	41.0	20