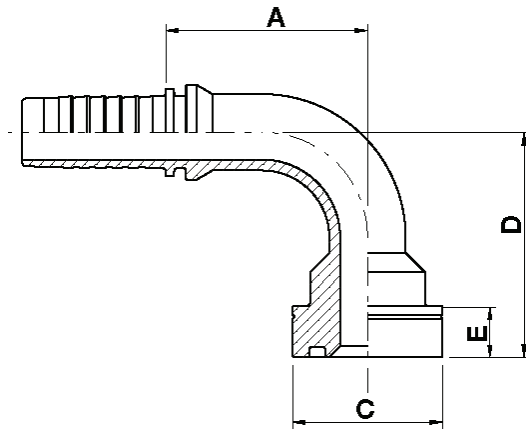


F-FLH90C

Code 62 CAT Flange 90° Bend



USE WITH TEXCEL HOSE SERIES

HS4K, HS5K, HS5KXT, HS6K

TWO-PIECE NO-SKIVE FITTING IN SERT

CODE	HOSE			FLANGE	A		C		D		E		Box Qty
	SIZE	INCH	DN		[in]	[mm]	[in]	[mm]	[in]	[mm]	[in]	[mm]	
F-1212-FLH90C	12	¾	19	¾"	2.19	55.5	1.63	41.3	2.44	62.0	0.57	14.5	20
F-1216-FLH90C	12	¾	19	1"	2.19	55.5	1.88	47.6	2.76	70.0	0.57	14.5	15
F-1616-FLH90C	16	1	25	1"	2.98	75.6	1.88	47.6	2.80	71.0	0.57	14.5	10
F-1620-FLH90C	16	1	25	1 ¼"	2.94	74.6	2.13	54.0	3.31	84.0	0.57	14.5	8
F-2020-FLH90C	20	1 ¼	31	1 ¼"	4.09	104.0	2.13	54.0	3.55	90.2	0.57	14.5	5