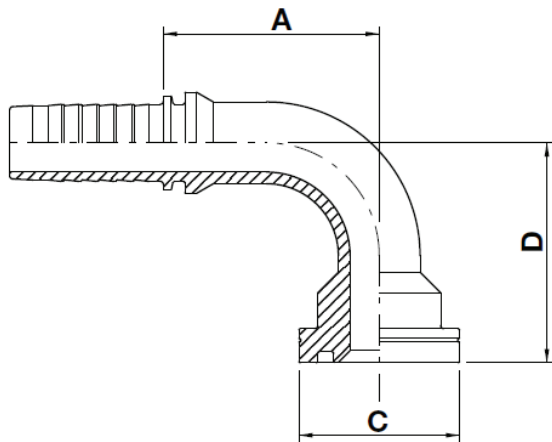


F-FLH90

Code 62 Flange 90° Bend



USE WITH TEXCEL HOSE SERIES

HS4K, HS5K, HS5KXT, HS6K

TWO-PIECE NO-SKIVE FITTING INSERT

CODE	HOSE			FLANGE	A		C		D		Box Qty
	SIZE	INCH	DN		[in]	[mm]	[in]	[mm]	[in]	[mm]	
F-1212-FLH90	12	¾	19	¾"	2.19	55.5	1.63	41.3	2.22	56.5	20
F-1216-FLH90	12	¾	19	1"	2.19	55.5	1.88	47.6	3.07	78.0	15
F-1616-FLH90	16	1	25	1"	2.99	76.0	1.88	47.6	2.60	66.0	10
F-1620-FLH90	16	1	25	1 ¼"	3.07	78.0	2.13	54.0	3.17	80.5	8
F-2020-FLH90	20	1 ¼	31	1 ¼"	4.00	101.7	2.13	54.0	3.39	86.0	10