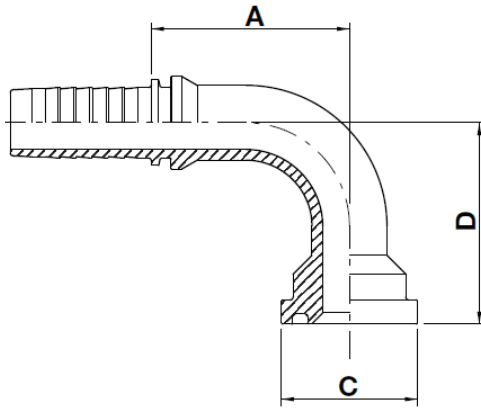
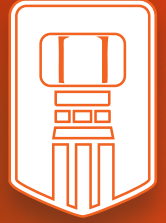


F-FL90

Code 61 Flange 90° Bend



USE WITH TEXCEL HOSE SERIES

HB3K, HB3K-XT, HB4K, HB4KXT, HB5K, HB5K-XT, HB6K, HBR1, HBR2, HHT2, HS4K, HS5K, HS5KXT, HS6K

TWO-PIECE NO-SKIVE FITTING INSERT

CODE	HOSE			FLANGE	A		C		D		Box Qty
	SIZE	INCH	DN		[in]	[mm]	[in]	[mm]	[in]	[mm]	
F-1212-FL90	12	3/4	19	3/4"	2.19	55.5	1.50	38.0	2.22	56.5	20
F-1216-FL90	12	3/4	19	1"	2.19	55.5	1.75	44.4	2.28	58.0	15
F-1616-FL90	16	1	25	1"	2.76	70.0	1.75	44.4	2.40	61.0	10
F-1620-FL90	16	1	25	1 1/4"	2.75	69.9	2.00	50.8	2.40	61.0	10
F-2020-FL90	20	1 1/4	31	1 1/4"	3.42	86.8	2.00	50.8	2.72	69.2	10