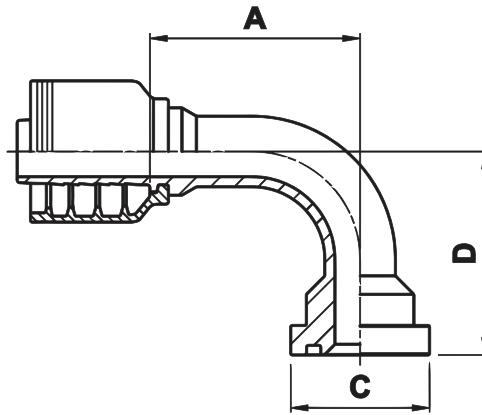




F4-FLH90L

Code 62 Flange 90° Bend Long Drop



USE WITH TEXCEL HOSE SERIES

HS3K, HS4K, HS5K (TO SIZE 20), HS5K-XT, HS6K (TO SIZE 20), HBR1 (SIZES 12 TO 32), HBR2 (SIZES 12 TO 32), HB3K-12 & 16, HB4K-12

ONE-PIECE NO-SKIVE FITTING

CODE	HOSE			FLANGE	A		C		D		Box Qty
	SIZE	INCH	DN		[in]	[mm]	[in]	[mm]	[in]	[mm]	
F4-1616-FLH90L120	16	1	25	1"	2.95	75.0	1.88	47.6	4.72	120.0	5
F4-1616-FLH90L170	16	1	25	1"	2.95	75.0	1.88	47.6	6.60	170.0	4
F4-2020-FLH90L130	20	1 ¼	31	1 ¼"	4.09	104.0	2.13	54.0	5.12	130.0	4
F4-2020-FLH90L150	20	1 ¼	31	1 ¼"	4.09	104.0	2.13	54.0	5.91	150.0	4
F4-2020-FLH90L170	20	1 ¼	31	1 ¼"	4.09	104.0	2.13	54.0	6.60	170.0	4