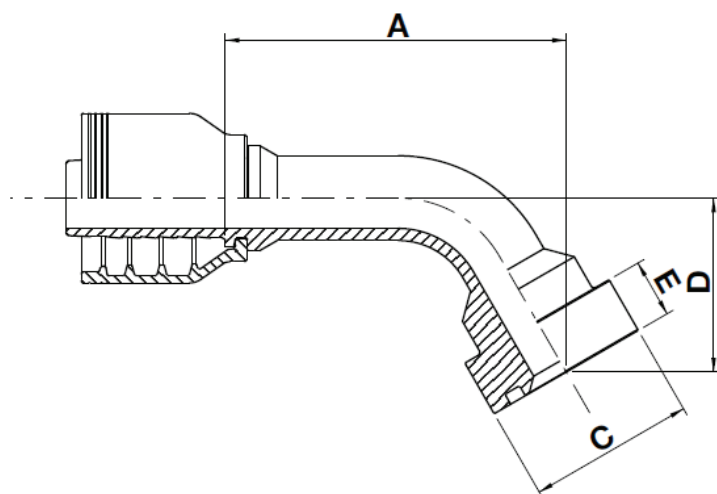


F4-FLH60C

Code 62 CAT Flange 60° Bend



USE WITH TEXCEL HOSE SERIES

HS3K, HS4K, HS5K (TO SIZE 20), HS5K-XT, HS6K (TO SIZE 20), HBR1 (SIZES 12 TO 32), HBR2 (SIZES 12 TO 32), HB3K-12 & 16, HB4K-12

ONE-PIECE NO-SKIVE FITTING

CODE	HOSE			FLANGE	A		C		D		E		Box Qty
	SIZE	INCH	DN		[in]	[mm]	[in]	[mm]	[in]	[mm]	[in]	[mm]	
F4-1212-FLH60C	12	¾	19	¾"	3.32	84.5	1.63	41.3	1.70	43.1	0.57	14.5	10
F4-1616-FLH60C	16	1	25	1"	4.05	103.0	1.88	47.6	1.89	48.0	0.57	14.5	10
F4-1620-FLH60C	16	1	25	1 ¼"	3.70	94.0	2.13	54.0	2.29	58.2	0.57	14.5	4
F4-2020-FLH60C	20	1 ¼	31	1 ¼"	4.51	114.5	2.13	54.0	2.32	59.0	0.57	14.5	5
F4-2024-FLH60C	20	1 ¼	31	1 ½"	5.39	137.0	2.50	63.5	2.65	67.2	0.57	14.5	3