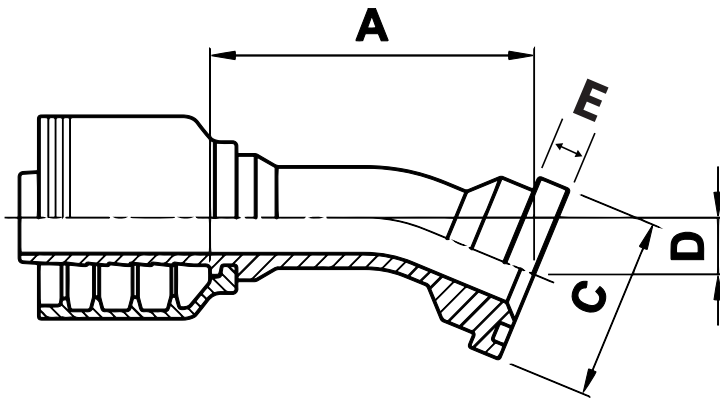


F4-FLH30C

Code 62 CAT Flange 30° BEND



USE WITH TEXCEL HOSE SERIES

HS3K, HS4K, HS5K (TO SIZE 20), HS5K-XT, HS6K (TO SIZE 20), HBR1 (SIZES 12 TO 32), HBR2 (SIZES 12 TO 32), HB3K-12 & 16, HB4K-12

ONE-PIECE NO-SKIVE FITTING

CODE	HOSE			FLANGE	A		C		D		E		Box Qty
	SIZE	INCH	DN		[in]	[mm]	[in]	[mm]	[in]	[mm]	[in]	[mm]	
F4-1212-FLH30C	12	3/4	19	3/4"	3.34	84.8	1.63	41.3	0.82	20.9	0.57	14.5	10
F4-1616-FLH30C	16	1	25	1"	3.63	92.1	1.88	47.6	0.87	22.0	0.57	14.5	10
F4-1620-FLH30C	16	1	25	1 1/4"	4.08	103.7	2.13	54.0	1.07	27.2	0.57	14.5	6
F4-2020-FLH30C	20	1 1/4	31	1 1/4"	5.06	128.5	2.13	54.0	1.14	29.0	0.57	14.5	5
F4-2024-FLH30C	20	1 1/4	31	1 1/2"	5.10	129.5	2.50	63.5	1.20	30.6	0.57	14.5	3