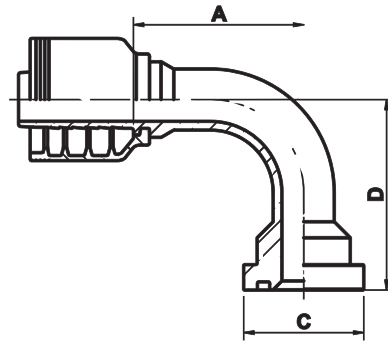


F4-FL90L

Code 61 Flange 90° Long Bend



USE WITH TEXCEL HOSE SERIES

HS3K, HS4K, HS5K (TO SIZE 20), HS5K-XT, HS6K (TO SIZE 20), HBR1 (SIZES 12 TO 32), HBR2 (SIZES 12 TO 32), HB3K-12 & 16, HB4K-12

ONE-PIECE NO-SKIVE FITTING

CODE	HOSE			FLANGE	A		C		D		Box Qty
	SIZE	INCH	DN		[in]	[mm]	[in]	[mm]	[in]	[mm]	
F4-1212-FL90L95	12	¾	19	¾"	2.45	62.2	1.50	38.0	3.74	95.0	10
F4-1212-FL90L125	12	¾	19	¾"	2.45	62.2	1.50	38.0	4.92	125.0	5
F4-1616-FL90L120	16	1	25	1"	2.76	70.0	1.75	44.4	4.72	120.0	5
F4-1616-FL90L150	16	1	25	1"	2.76	70.0	1.75	44.4	5.91	150.0	4
F4-2020-FL90L120	20	1¼	31	1¼"	3.43	87.0	2.00	50.8	4.72	120.0	5
F4-2020-FL90L130	20	1¼	31	1¼"	3.43	87.0	2.00	50.8	5.12	130.0	5
F4-2020-FL90L170	20	1¼	31	1¼"	3.43	87.0	2.00	50.8	6.60	170.0	5