



# TWO-PIECE HYDRAULIC FITTINGS

CATALOG

[TEXCELHYDRAULICS.COM](http://TEXCELHYDRAULICS.COM)





# MAKING A DIFFERENCE FOR YOUR BUSINESS

Our cutting-edge line of hydraulic hose and fittings is not just a product division. It's a promise of superior service, quality, technical support and availability. We've built our company on impeccable customer service. Let us know how we can make a difference for your business.

1. **WARNING!** Use only hose and fittings from manufacturers who have tested and qualified the compatibility of their products. Texcel manufactured products are rigorously tested to adhere to industry safety and performance guidelines. **DO NOT** mix or match hose and fittings that are not tested, qualified and approved by Texcel. Use only new products and follow Texcel crimp specifications to properly fabricate hose assemblies.
2. Select and carefully install hose assemblies according to the Texcel crimp specification.
3. **DO NOT** use any damaged or worn out hose, fittings or hose assemblies.
4. The pressure rating of a hydraulic hose assembly is not to exceed the working pressure of the lowest rated component in the hose assembly. Maximum working pressure includes the highest pressure the system will experience, such as spikes, surges and water hammer effects. (For example: If a system consists of a hose rated at 3000 PSI and the termination rated at 2000 PSI, the hose assembly should never be used in excess of 2000 PSI.)
5. The application temperature and pressure must be lower than the temperature and pressure rating of all hydraulic hose and fittings.
6. The hose must not be stretched, kinked, crushed, or twisted during the installation or use. Hose must not be bent to less than the minimum bend radius.
7. The bend radius of the application must be larger than the recommended bend radius.
8. Receive hands-on training before using any Texcel recommended equipment.
9. Wear safety glasses.
10. Follow all the guidelines of Texcel's operating manual and crimp specifications.
11. **DO NOT** run your hand over or touch any pressurized hose assemblies with any part of the body. Always turn off all equipment before inspecting any hose assembly.
12. Only properly trained personnel should inspect, test or service hose assemblies and components. Update training periodically.
13. The routing of the hose assembly must not create an injury hazard or damage of any component of the hose assembly. Refer to the standards and regulations that apply in the countries where the equipment is sold and used.
14. Apply the best practice of hose assembly fabrication.
15. Document and track all of the maintenance, inspection and testing.



## TEXCEL SAFETY TIPS FOR HYDRAULIC HOSE ASSEMBLIES



## WARNING

Improper selection of hoses, fittings, coupling terminations, assemblies and accessories can cause equipment malfunctions and failures, environmental issues, personal injury or even death. Follow Texcel crimp specifications and guidelines for the proper selection of all hydraulic products (hoses, fittings, and accessories). Texcel strongly recommends using SAE J1273 specification – Surface Vehicle Recommended Practice and NAHAD Fabrication Guide for Hydraulic Hose Assemblies as a safety guideline for selecting components, fabrication and installation. Texcel disclaims all liability for any hose assembly made in violation of Texcel's recommendations, procedures and current crimp data. Contact Texcel for updated product and crimp specifications and procedures as necessary.

## NOTES:





## FITTINGS TERMINOLOGY

PART NUMBER FAMILY	TERMINATION DESCRIPTION
BFS	BSPP FEMALE SWIVEL
BSPFS45	BSPP FEMALE SWIVEL 45° BENT TUBE
BSPFS90	BSPP FEMALE SWIVEL 90° BENT TUBE
DHFS	DKOS FEMALE SWIVEL
DHFS45	DKOS FEMALE SWIVEL 45° BENT TUBE
DHFS90	DKOS FEMALE SWIVEL 90° BENT TUBE
DHM	DKS MALE
DLFS	DKOL FEMALE SWIVEL
DLFS45	DKOL FEMALE SWIVEL 45° BENT TUBE
DLFS90	DKOL FEMALE SWIVEL 90° BENT TUBE
DLM	DKL Male
FL	CODE 61 FLANGE
FL45	CODE 61 FLANGE 45° BEND
FL90	CODE 61 FLANGE 90° BEND
FL90L	CODE 61 FLANGE 90° LONG BEND
FLH	CODE 62 FLANGE
FLH45	CODE 62 FLANGE 45° BEND
FLH45C	CODE 62 CAT FLANGE 45° BEND
FLH90	CODE 62 FLANGE 90° BEND
FLH90C	CODE 62 CAT FLANGE 90° BEND
FLH90L	Code 62 Flange 90° Long Bend
FLHC	CODE 62 CAT FLANGE
JFS	JIC FEMALE SWIVEL
JFS45M	JIC FEMALE SWIVEL 45° BENT TUBE MEDIUM DROP
JFS90L	JIC FEMALE SWIVEL 90° BENT TUBE LONG DROP
JFS90S	JIC FEMALE SWIVEL 90° BENT TUBE SHORT DROP
JISS	JIS FEMALE SWIVEL 30° SEAT
JM	JIC MALE
KFS	KOMATSU FEMALE SWIVEL 30° SEAT
OBM	O-RING BOSS MALE
OFS	ORFS FEMALE SWIVEL
OFS45M	ORFS FEMALE SWIVEL 45° BENT TUBE MEDIUM DROP
OFS90L	ORFS FEMALE SWIVEL 90° BENT TUBE LONG DROP

PART NUMBER FAMILY	TERMINATION DESCRIPTION
OFS90S	ORFS FEMALE SWIVEL 90° BENT TUBE SHORT DROP
OM	ORFS MALE
PFS	NPSM FEMALE SWIVEL
PM	NPT MALE
PMS	NPT MALE SWIVEL
F1-FER	R1 HOSE FERRULE
F2-FER	BRAIDED HOSE FERRULE
F4-FER	SPIRAL HOSE FERRULE
F7-FER	R7 HOSE FERRULE
F8-FER	R8 HOSE FERRULE
F14-FER	R14 HOSE FERRULE



## TABLE OF CONTENTS

# FITTINGS PRODUCTS

How to read Part #.....8	F-FL.....24	F-DLFS45.....40
F-PM.....9	F-FL45.....25	F-DLFS90.....41
F-PMS.....10	F-FL90.....26	F-DHM.....42
F-PFS.....11	F-FL90L.....27	F-DHFS.....43
F-JM.....12	F-FLH.....28	F-DHFS45.....44
F-JFS.....13	F-FLH45.....29	F-DHFS90.....45
F-JFS45M.....14	F-FLH90.....30	F-JISS.....46
F-JFS90S.....15	F-FLH90L.....31	F-KFS.....47
F-JFS90L.....16	F-FLHC.....32	F1-FER.....48
F-SFS.....17	F-FLH45C.....33	F2-FER.....49
F-OM.....18	F-FLH90C.....34	F4-FER.....50
F-OFS.....19	F-BFS.....35	F7-FER.....51
F-OFS45M.....20	F-BSPFS45.....36	F8-FER.....52
F-OFS90S.....21	F-BSPFS90.....37	F14-FER.....53
F-OFS90L.....22	F-DLM.....38	
F-OBM.....23	F-DLFS.....39	

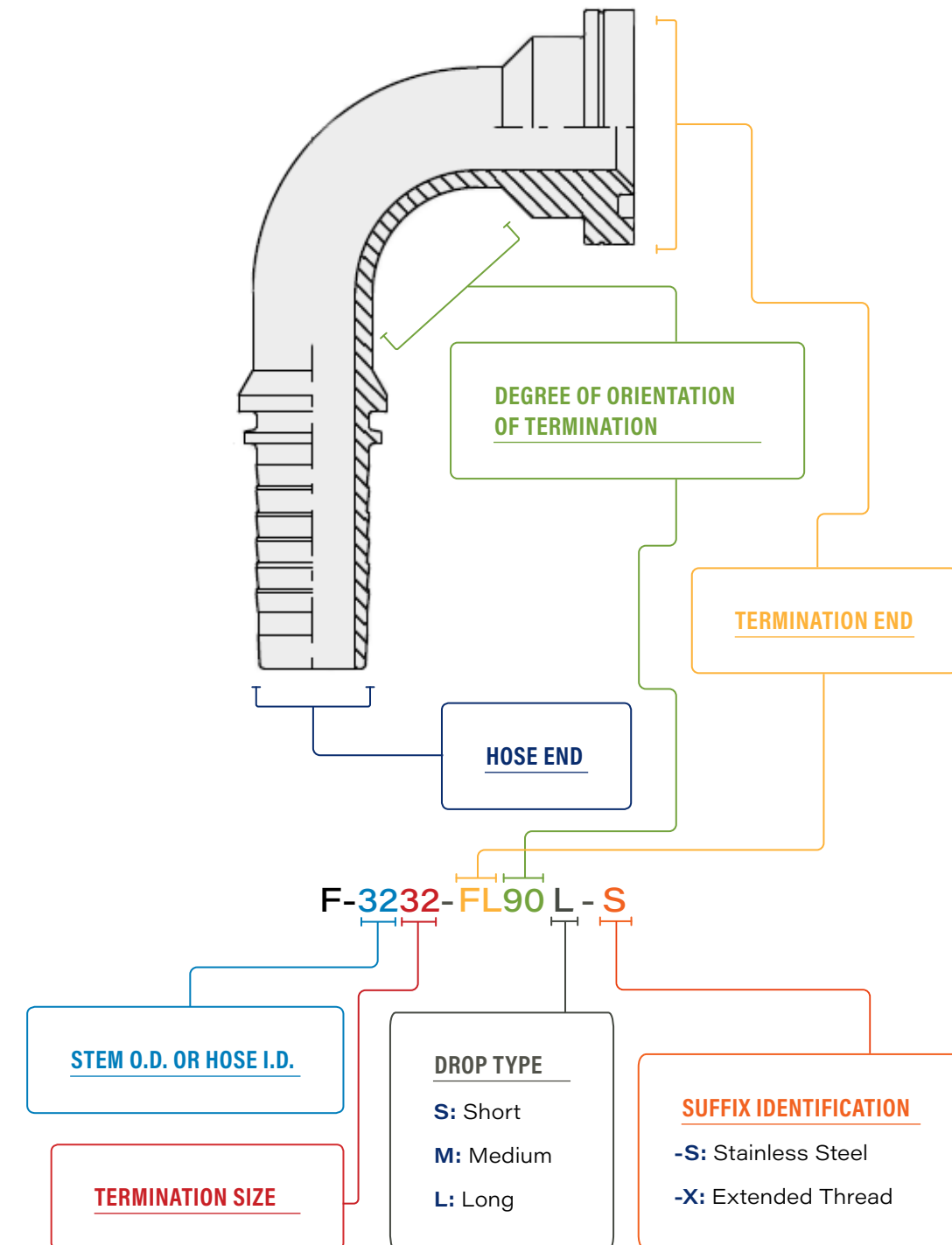


## HOW TO READ FITTINGS PART NUMBERS

The pressure rating of a hydraulic hose assembly is not to exceed the working pressure of the lowest rated component in the hose assembly. Maximum working pressure includes the highest pressure the system will experience, such as spikes, surges and water hammer effects.

### BENEFITS

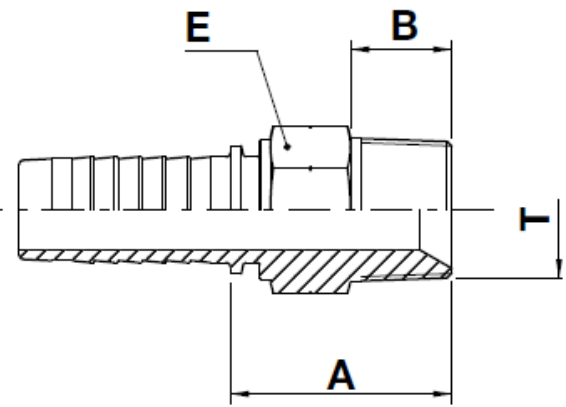
- No welds
- Two-piece no-skive
- Machined for consistency
- Available in carbon and stainless steel
- Full manufacture tracing capability





# F-PM

NPT Male

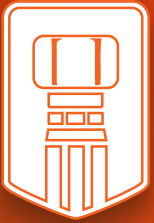


## USE WITH TEXCEL HOSE SERIES

HB3K, HB3K-XT, HB4K, HB4KXT, HB5K, HB5K-XT, HB6K, HBR1, HBR2, HHT2, HS3K, HS4K, HS5K, HS5KXT, HS6K

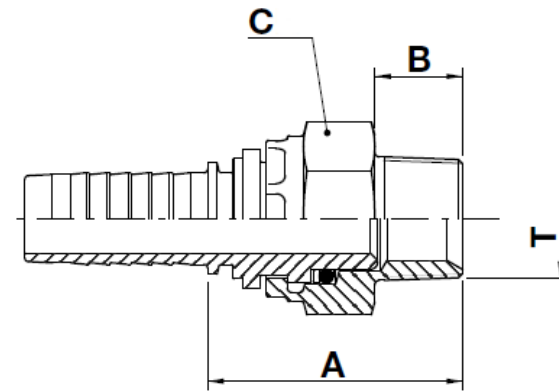
TWO-PIECE NO-SKIVE FITTING INSERT

CODE	SIZE	HOSE		THREAD SIZE	A		B		E		Box Qty	
		INCH	DN		[in]	[mm]	[in]	[mm]	[in]	[in]		[mm]
F-0402-PM	04	¼	6	¼" - 27	0.87	22.0	0.38	9.6	0.55	⅞	14.0	200
F-0404-PM	04	¼	6	¼" - 18	1.04	26.5	0.55	14.0	0.55	⅞	14.0	300
F-0406-PM	04	¼	6	⅜" - 18	1.10	28.0	0.55	14.0	0.75	¾	19.0	200
F-0604-PM	06	⅜	10	¼" - 18	1.04	26.5	0.55	14.0	0.67	1⅛	17.0	200
F-0606-PM	06	⅜	10	⅜" - 18	1.10	28.0	0.55	14.0	0.75	¾	19.0	150
F-0608-PM	06	⅜	10	½" - 14	1.30	33.0	0.75	19.0	0.87	⅞	22.0	100
F-0806-PM	08	½	12	⅜" - 18	1.12	28.5	0.55	14.0	0.75	¾	19.0	100
F-0808-PM	08	½	12	½" - 14	1.32	33.5	0.75	19.0	0.87	⅞	22.0	100
F-0812-PM	08	½	12	¾" - 14	1.34	34.0	0.75	19.0	1.06	1⅛	27.0	80
F-1008-PM	10	⅝	16	½" - 14	1.32	33.5	0.75	19.0	0.95	1⅝	24.0	80
F-1212-PM	12	¾	19	¾" - 14	1.63	41.5	0.75	19.0	1.06	1⅛	27.0	40
F-1216-PM	12	¾	19	1" - 11½	1.83	46.5	0.94	24.0	1.42	1⅞	36.0	30
F-1616-PM	16	1	25	1" - 11½	1.89	48.0	0.94	24.0	1.42	1⅞	36.0	25
F-2020-PM	20	1¼	31	1¼" - 11½	2.48	63.0	0.96	24.5	1.81	1⅞	46.0	25
F-2424-PM	24	1½	38	1½" - 11½	2.52	64.0	1.00	25.5	1.97	2	50.0	15
F-3232-PM	32	2	51	2" - 11½	3.11	79.0	1.02	26.0	2.56	2⅞	65.0	5



# F-PMS

NPT Male Swivel



## USE WITH TEXCEL HOSE SERIES

HB3K, HB3K-XT, HB4K, HB4KXT, HB5K, HB5K-XT, HB6K, HBR1, HBR2, HHT2, HS4K, HS5K, HS5KXT, HS6K

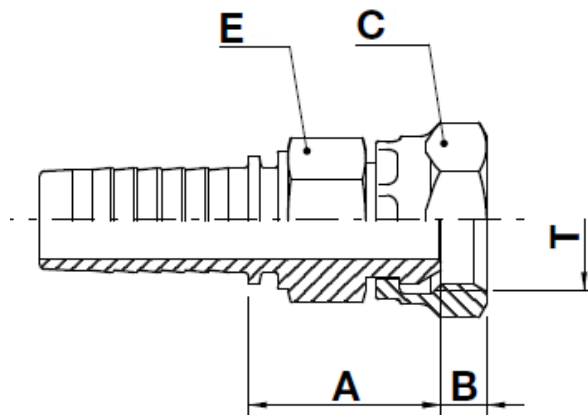
TWO-PIECE NO-SKIVE FITTING INSERT

CODE	SIZE	HOSE		THREAD SIZE	A		B		C		Box Qty	
		INCH	DN		[in]	[mm]	[in]	[mm]	[in]	[in]		[mm]
F-0404-PMS	04	¼	6	¼" - 18	1.44	36.5	0.55	14.0	0.67	1⅛	17.0	150
F-0606-PMS	06	⅜	10	⅜" - 18	1.65	41.5	0.55	14.0	0.87	⅞	22.0	100
F-0808-PMS	08	½	12	½" - 14	2.13	54.0	0.75	19.0	1.06	1⅛	27.0	50



# F-PFS

NPSM Female Swivel



## USE WITH TEXCEL HOSE SERIES

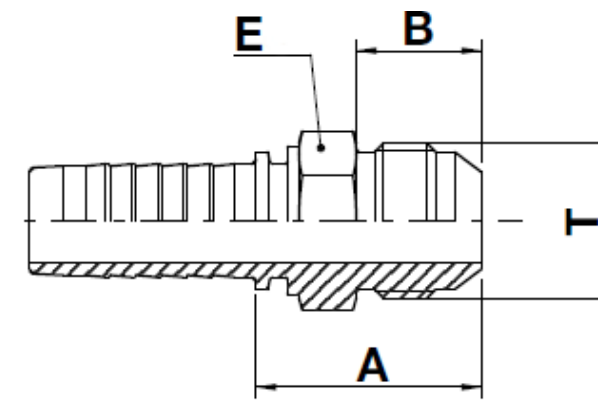
HB3K, HB3K-XT, HB4K, HB4KXT, HB5K, HB5K-XT, HB6K, HBR1, HBR2, HHT2, HS4K, HS5K, HS5KXT, HS6K

TWO-PIECE NO-SKIVE FITTING INSERT

CODE	HOSE			THREAD SIZE	A		B		E		C		Box Qty		
	SIZE	INCH	DN		[in]	[mm]	[in]	[mm]	[in]	[in]	[mm]	[in]		[in]	[mm]
F-0404-PFS	04	¼	6	¼" - 18	0.94	24.0	0.17	4.2	0.55	⅞	14.0	0.75	¾	19.0	150
F-0606-PFS	06	⅜	10	⅜" - 18	1.04	26.5	0.22	5.7	0.87	⅞	22.0	0.87	⅞	22.0	100
F-0808-PFS	08	½	12	½" - 14	1.14	29.0	0.27	6.9	0.87	⅞	22.0	1.06	1 ¼	27.0	80

# F-JM

JIC Male



## USE WITH TEXCEL HOSE SERIES

HB3K, HB3K-XT, HB4K, HB4KXT, HB5K, HB5K-XT, HB6K, HBR1, HBR2, HHT2, HS4K, HS5K, HS5KXT, HS6K

TWO-PIECE NO-SKIVE FITTING INSERT

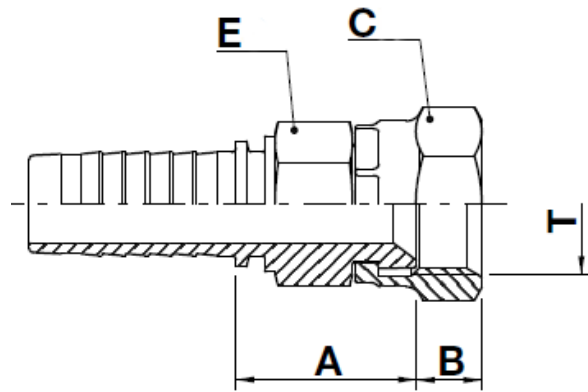
CODE	HOSE			THREAD SIZE	A		B		E		Box Qty	
	SIZE	INCH	DN		[in]	[mm]	[in]	[mm]	[in]	[in]		[mm]
F-0404-JM	04	¼	6	7/16" - 20	1.04	26.5	0.55	14.0	0.55	⅞	14.0	250
F-0406-JM	04	¼	6	9/16" - 18	1.08	27.5	0.55	14.0	0.67	1 1/16	17.0	200
F-0606-JM	06	⅜	10	9/16" - 18	1.08	27.5	0.56	14.1	0.67	1 1/16	17.0	200
F-0608-JM	06	⅜	10	¾" - 16	1.19	30.2	0.66	16.7	0.75	¾	19.0	150
F-0808-JM	08	½	12	¾" - 16	1.21	30.7	0.66	16.7	0.75	¾	19.0	100
F-0810-JM	08	½	12	7/8" - 14	1.38	35.0	0.76	19.3	0.95	1 5/16	24.0	75
F-1010-JM	10	5/8	16	7/8" - 14	1.38	35.0	0.76	19.3	0.95	1 5/16	24.0	75
F-1012-JM	10	5/8	16	1 1/16" - 12	1.54	39.0	0.86	21.9	1.06	1 1/16	27.0	50
F-1212-JM	12	¾	19	1 1/16" - 12	1.55	39.4	0.86	21.9	1.06	1 1/16	27.0	50
F-1216-JM	12	¾	19	1 5/16" - 12	1.79	45.5	0.91	23.1	1.42	1 7/16	36.0	25
F-1616-JM	16	1	25	1 5/16" - 12	1.85	47.1	0.91	23.1	1.42	1 7/16	36.0	25
F-2020-JM	20	1 ¼	31	1 5/8" - 12	2.47	62.8	0.96	24.3	1.81	1 13/16	46.0	15





# F-JFS

JIC Female Swivel

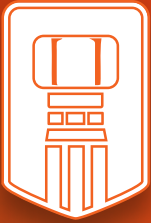


## USE WITH TEXCEL HOSE SERIES

HB3K, HB3K-XT, HB4K, HB4KXT, HB5K, HB5K-XT, HB6K, HBR1, HBR2, HHT2, HS4K, HS5K, HS5KXT, HS6K

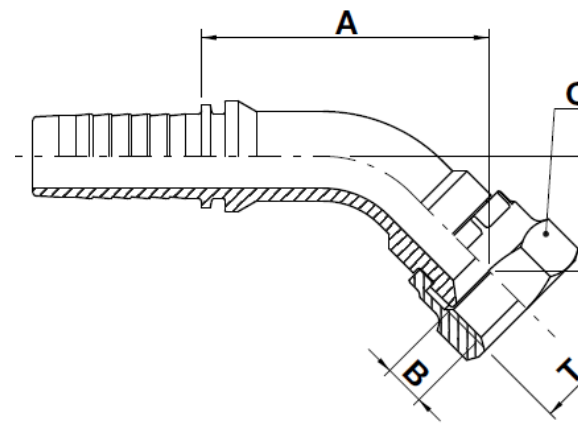
TWO-PIECE NO-SKIVE FITTING INSERT

CODE	HOSE			THREAD SIZE	A		B		E	C			Box Qty		
	SIZE	INCH	DN		[in]	[mm]	[in]	[mm]		[in]	[in]	[in]		[mm]	
F-0404-JFS	04	¼	6	7/16" - 20	0.82	20.8	0.33	8.5	0.55	9/16	14.0	0.55	9/16	14.0	250
F-0405-JFS	04	¼	6	½" - 20	0.85	21.5	0.37	9.5	0.55	9/16	14.0	0.67	11/16	17.0	200
F-0406-JFS	04	¼	6	9/16" - 18	0.91	23.0	0.41	10.5	0.55	9/16	14.0	0.69	11/16	17.5	200
F-0606-JFS	06	3/8	10	9/16" - 18	0.94	24.0	0.37	9.5	0.67	11/16	17.0	0.69	11/16	17.5	150
F-0608-JFS	06	3/8	10	¾" - 16	1.02	26.0	0.42	10.7	0.75	¾	19.0	0.87	7/8	22.0	100
F-0808-JFS	08	½	12	¾" - 16	1.04	26.5	0.42	10.7	0.75	¾	19.0	0.87	7/8	22.0	100
F-0810-JFS	08	½	12	7/8" - 14	1.12	28.5	0.50	12.7	0.87	7/8	22.0	1.06	1 1/16	27.0	50
F-0812-JFS	08	½	12	1 1/16" - 12	1.34	34.0	0.56	14.3	1.06	1 1/16	27.0	1.26	1 ¼	32.0	40
F-1010-JFS	10	5/8	16	7/8" - 14	1.12	38.5	0.50	12.7	0.87	7/8	22.0	1.06	1 1/16	27.0	50
F-1012-JFS	10	5/8	16	1 1/16" - 12	1.34	34.0	0.56	14.3	1.06	1 1/16	27.0	1.26	1 ¼	32.0	40
F-1212-JFS	12	¾	19	1 1/16" - 12	1.36	34.5	0.56	14.3	1.06	1 1/16	27.0	1.26	1 ¼	32.0	30
F-1216-JFS	12	¾	19	1 5/16" - 12	1.51	38.5	0.59	15.1	1.26	1 ¼	32.0	1.50	1 ½	38.0	20
F-1616-JFS	16	1	25	1 5/16" - 12	1.51	38.0	0.59	15.1	1.26	1 ¼	41.0	1.50	1 ½	38.0	15
F-1620-JFS	16	1	25	1 5/8" - 12	1.18	30.0	0.63	16.0	1.61	1 5/8	41.0	1.97	2	50.0	15
F-2020-JFS	20	1 ¼	31	1 5/8" - 12	1.95	49.5	0.63	16.0	1.61	1 5/8	41.0	1.97	2	50.0	15



# F-JFS45M

JIC Female Swivel 45° Bent Tube Medium Drop



## USE WITH TEXCEL HOSE SERIES

HB3K, HB3K-XT, HB4K, HB4KXT, HB5K, HB5K-XT, HB6K, HBR1, HBR2, HHT2, HS4K, HS5K, HS5KXT, HS6K

TWO-PIECE NO-SKIVE FITTING INSERT

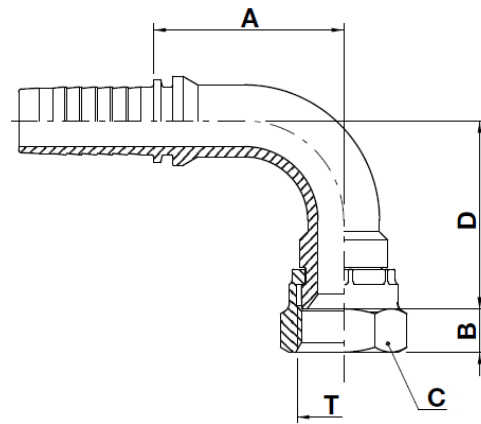
CODE	HOSE			THREAD SIZE	A		B		D		C		Box Qty	
	SIZE	INCH	DN		[in]	[mm]	[in]	[mm]	[in]	[mm]	[in]	[in]		[mm]
F2-0404-JFS45M	04	¼	6	7/16" - 20	1.26	32.0	0.34	8.7	0.44	11.1	0.55	9/16	14.0	200
F2-0406-JFS45M	04	¼	6	9/16" - 18	1.30	33.1	0.37	9.5	0.53	13.4	0.69	11/16	17.5	200
F2-0606-JFS45M	06	3/8	10	9/16" - 18	1.33	33.9	0.37	9.5	0.48	12.1	0.69	11/16	17.5	150
F2-0608-JFS45M	06	3/8	10	¾" - 16	1.67	42.5	0.42	10.7	0.59	15.0	0.87	7/8	22.0	100
F2-0808-JFS45M	08	½	12	¾" - 16	1.60	40.7	0.42	10.7	0.54	13.8	0.87	7/8	22.0	75
F2-0810-JFS45M	08	½	12	7/8" - 14	1.91	48.5	0.49	12.5	0.83	21.2	1.06	1 1/16	27.0	40
F2-1212-JFS45M	12	¾	19	1 1/16" - 12	2.66	67.4	0.56	14.3	1.06	26.9	1.26	1 ¼	32.0	20
F2-1616-JFS45M	16	1	25	1 5/16" - 12	3.38	86.0	0.61	15.1	1.35	34.5	1.50	1 ½	38.0	15
F2-2020-JFS45M	20	1 ¼	31	1 5/8" - 12	3.82	97.0	0.63	16.0	1.48	37.5	1.97	2	50.0	10





# F-JFS90S

JIC Female Swivel 90° Bent Tube Short Drop



## USE WITH TEXCEL HOSE SERIES

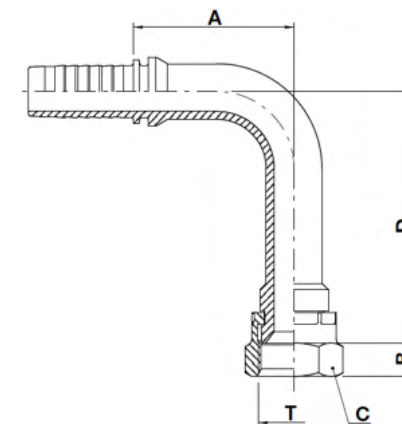
HB3K, HB3K-XT, HB4K, HB4KXT, HB5K, HB5K-XT, HB6K, HBR1, HBR2, HHT2, HS4K, HS5K, HS5KXT, HS6K

TWO-PIECE NO-SKIVE FITTING INSERT

CODE	HOSE		THREAD SIZE	A		B		D		C		Box Qty	
	SIZE	INCH DN		[in]	[mm]	[in]	[mm]	[in]	[mm]	[in]	[mm]		
F-0404-JFS90S	04	¼ 6	7/16" - 20	1.06	27.0	0.34	8.7	0.85	21.5	0.55	9/16	14.0	200
F-0406-JFS90S	04	¼ 6	9/16" - 18	1.12	28.5	0.37	9.5	1.10	28.0	0.69	11/16	17.5	150
F-0606-JFS90S	06	⅜ 10	9/16" - 18	1.09	27.8	0.37	9.5	0.91	23.0	0.69	11/16	17.5	150
F-0608-JFS90S	06	⅜ 10	¾" - 16	1.38	35.0	0.42	10.7	1.18	30.0	0.87	7/8	22.0	100
F-0808-JFS90S	08	½ 12	¾" - 16	1.56	39.5	0.42	10.7	1.18	30.0	0.87	7/8	22.0	75
F-0810-JFS90S	08	½ 12	7/8" - 14	1.45	36.8	0.49	12.5	1.59	40.5	1.06	1 1/16	27.0	50
F-1010-JFS90S	10	5/8 16	7/8" - 14	2.13	54.0	0.50	12.7	2.05	52.0	1.06	1 1/16	27.0	25
F-1012-JFS90S	10	5/8 16	1 1/16" - 12	2.13	54.0	0.56	14.3	2.17	55.0	1.26	1 ¼	32.0	25
F-1212-JFS90S	12	¾ 19	1 1/16" - 12	2.19	55.5	0.54	13.8	2.17	55.0	1.26	1 ¼	32.0	20
F-1216-JFS90S	12	¾ 19	1 5/16" - 12	2.19	55.5	0.61	15.1	2.44	62.0	1.50	1 ½	38.0	15
F-1616-JFS90S	16	1 25	1 5/16" - 12	2.97	75.5	0.61	15.1	2.80	71.0	1.50	1 ½	38.0	10
F-2020-JFS90S	20	1 ¼ 31	1 5/8" - 12	3.37	85.5	0.63	16.0	3.03	77.0	1.97	2	50.0	10

# F-JFS90L

JIC Female Swivel 90° Bent Tube Long Drop

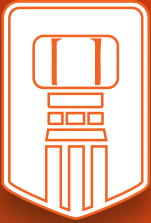


## USE WITH TEXCEL HOSE SERIES

HB3K, HB3K-XT, HB4K, HB4KXT, HB5K, HB5K-XT, HB6K, HBR1, HBR2, HHT2, HS4K, HS5K, HS5KXT, HS6K

TWO-PIECE NO-SKIVE FITTING INSERT

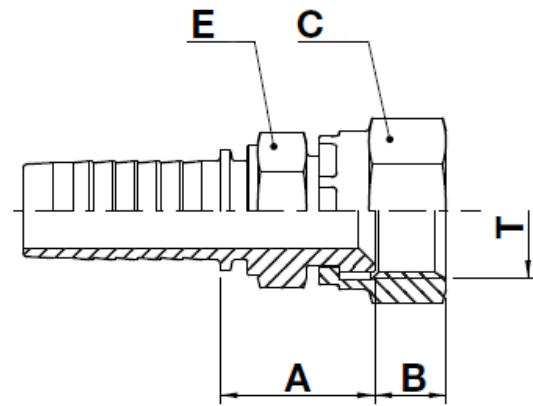
CODE	HOSE		THREAD SIZE	A		B		D		C		Box Qty	
	SIZE	INCH DN		[in]	[mm]	[in]	[mm]	[in]	[mm]	[in]	[mm]		
F-0404-JFS90L	04	¼ 6	7/16" - 20	1.16	29.5	0.34	8.7	1.81	46.0	0.55	9/16	14.0	150
F-0606-JFS90L	06	⅜ 10	9/16" - 18	1.40	35.5	0.37	9.5	2.20	56.0	0.69	11/16	17.5	80
F-0808-JFS90L	08	½ 12	¾" - 16	1.83	46.5	0.42	10.7	2.44	62.0	0.87	7/8	22.0	40
F-1010-JFS90L	10	5/8 16	7/8" - 14	2.19	55.5	0.50	12.7	2.56	65.0	1.06	1 1/16	27.0	20
F-1212-JFS90L	12	¾ 19	1 1/16" - 12	2.38	60.5	0.56	14.3	3.74	95.0	1.26	1 ¼	32.0	15
F-1616-JFS90L	16	1 25	1 5/16" - 12	2.95	75.0	0.61	15.1	4.33	110.0	1.50	1 ½	38.0	8





# F-SFS

SAE Female Swivel



## USE WITH TEXCEL HOSE SERIES

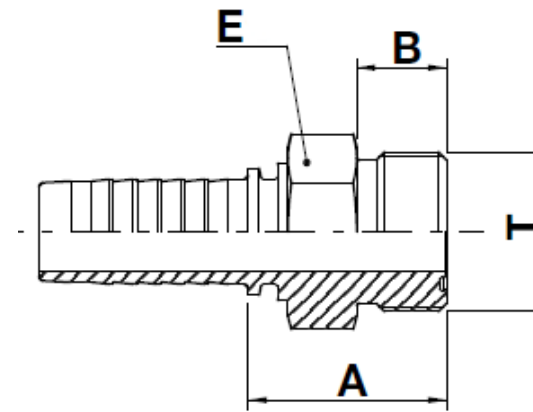
HB3K, HB3K-XT, HB4K, HB4KXT, HB5K, HB5K-XT, HB6K, HBR1, HBR2, HHT2, HS4K, HS5K, HS5KXT, HS6K

TWO-PIECE NO-SKIVE FITTING INSERT

CODE	HOSE		THREAD SIZE	A		B		E		C		Box Qty			
	SIZE INCH	DN		[in]	[mm]	[in]	[mm]	[in]	[in]	[in]	[mm]				
F-0606-SFS	06	3/8	10	5/8" - 18	0.94	24.0	0.43	10.8	0.75	3/4	19.0	0.87	7/8	22.0	100

# F-OM

ORFS Male

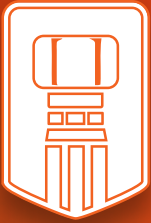


## USE WITH TEXCEL HOSE SERIES

HB3K, HB3K-XT, HB4K, HB4KXT, HB5K, HB5K-XT, HB6K, HBR1, HBR2, HHT2, HS4K, HS5K, HS5KXT, HS6K

TWO-PIECE NO-SKIVE FITTING INSERT

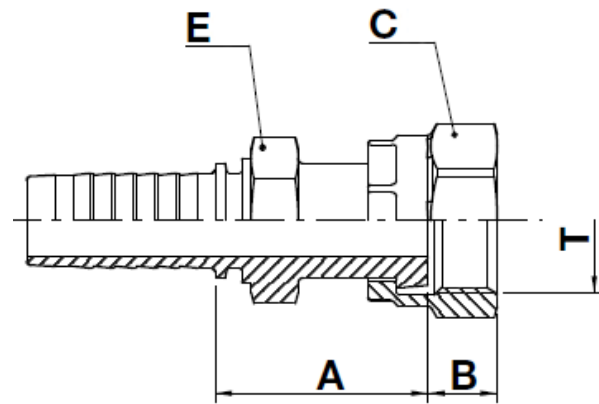
CODE	HOSE		THREAD SIZE	A		B		E		Box Qty		
	SIZE INCH	DN		[in]	[mm]	[in]	[mm]	[in]	[in]		[mm]	
F-0404-OM	04	1/4	6	9/16" - 18	1.00	25.3	0.40	10.0	0.59	5/8	15.0	100
F-0406-OM	04	1/4	6	11/16" - 16	1.04	26.5	0.44	11.2	0.75	3/4	19.0	50
F-0606-OM	06	3/8	10	11/16" - 16	1.04	26.5	0.44	11.2	0.75	3/4	19.0	50
F-0608-OM	06	3/8	10	13/16" - 16	1.14	29.0	0.52	13.2	0.87	7/8	22.0	50
F-0808-OM	08	1/2	12	13/16" - 16	1.16	29.5	0.52	13.2	0.87	7/8	22.0	100
F-0810-OM	08	1/2	12	1" - 14	1.34	34.0	0.62	15.7	1.06	1 1/16	27.0	60
F-1010-OM	10	5/8	16	1" - 14	1.34	34.0	0.62	15.7	1.06	1 1/16	27.0	50
F-1012-OM	10	5/8	16	1 3/16" - 12	1.46	37.0	0.67	17.0	1.26	1 1/4	32.0	50
F-1212-OM	12	3/4	19	1 3/16" - 12	1.48	37.6	0.67	17.0	1.26	1 1/4	32.0	40
F-1616-OM	16	1	25	1 7/16" - 12	1.63	41.5	0.69	17.5	1.61	1 5/8	41.0	20





# F-OFS

ORFS Female Swivel



## USE WITH TEXCEL HOSE SERIES

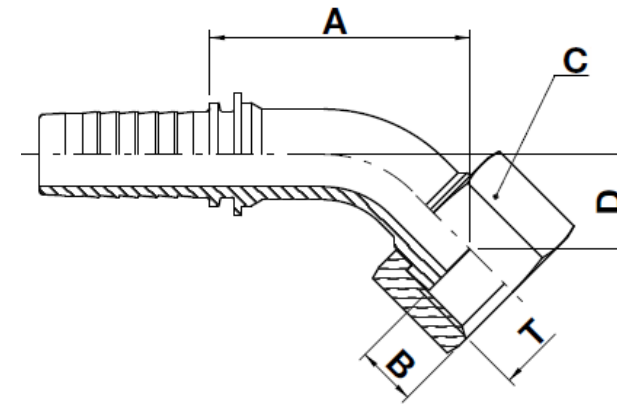
HB3K, HB3K-XT, HB4K, HB4KXT, HB5K, HB5K-XT, HB6K, HBR1, HBR2, HHT2, HS4K, HS5K, HS5KXT, HS6K

TWO-PIECE NO-SKIVE FITTING INSERT

CODE	HOSE			THREAD SIZE	A		B		E		C			Box Qty	
	SIZE	INCH	DN		[in]	[mm]	[in]	[mm]	[in]	↗[in]	[mm]	[in]	↗[in]		[mm]
F-0404-OFS	04	¼	6	9/16" - 18	1.10	28.0	0.31	8.0	0.55	9/16	14.0	0.67	1 1/16	17.0	200
F-0406-OFS	04	¼	6	1 1/16" - 16	1.24	31.5	0.37	9.5	0.67	1 1/16	17.0	0.87	7/8	22.0	150
F-0606-OFS	06	3/8	10	1 1/16" - 16	1.26	32.0	0.37	9.5	0.67	1 1/16	17.0	0.87	7/8	22.0	100
F-0608-OFS	06	3/8	10	1 3/16" - 16	1.44	36.5	0.43	11.0	0.75	3/4	19.0	0.95	1 5/16	24.0	80
F-0808-OFS	08	½	12	1 3/16" - 16	1.46	37.0	0.43	11.0	0.75	¾	19.0	0.95	1 5/16	24.0	80
F-0810-OFS	08	½	12	1" - 14	1.54	39.0	0.53	13.5	0.95	1 5/16	24.0	1.18	1 3/16	30.0	50
F-0812-OFS	08	½	12	1 3/16" - 12	1.85	47.0	0.57	14.5	1.18	1 3/16	30.0	1.42	1 7/16	36.0	50
F-1010-OFS	10	5/8	16	1" - 14	1.54	39.1	0.53	13.5	0.95	1 5/16	24.0	1.12	1 3/16	30.0	50
F-1012-OFS	10	5/8	16	1 3/16" - 12	1.74	44.1	0.57	14.5	1.18	1 3/16	30.0	1.42	1 7/16	36.0	30
F-1212-OFS	12	¾	19	1 3/16" - 12	1.79	44.5	0.57	14.5	1.18	1 3/16	30.0	1.42	1 7/16	36.0	30
F-1216-OFS	12	¾	19	1 7/16" - 12	2.03	51.5	0.58	14.8	1.42	1 7/16	36.0	1.61	1 5/8	41.0	20
F-1616-OFS	16	1	25	1 7/16" - 12	2.09	53.0	0.58	14.8	1.42	1 7/16	36.0	1.61	1 5/8	41.0	15
F-1620-OFS	16	1	25	1 1/16" - 12	2.17	55.0	0.58	14.8	1.61	1 5/8	41.0	1.97	2	50.0	15
F-2020-OFS	20	1 ¼	31	1 1/16" - 12	2.20	56.0	0.58	14.8	1.61	1 5/8	41.0	1.97	2	50.0	15

# F-OFS45M

ORFS Female Swivel 45° Bent Tube Medium Drop

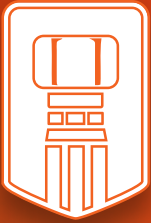


## USE WITH TEXCEL HOSE SERIES

HB3K, HB3K-XT, HB4K, HB4KXT, HB5K, HB5K-XT, HB6K, HBR1, HBR2, HHT2, HS4K, HS5K, HS5KXT, HS6K

TWO-PIECE NO-SKIVE FITTING INSERT

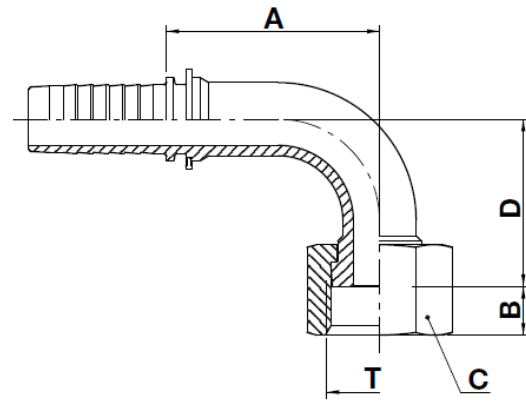
CODE	HOSE			THREAD SIZE	A		B		D		C			Box Qty
	SIZE	INCH	DN		[in]	[mm]	[in]	[mm]	[in]	[mm]	[in]	↗[in]	[mm]	
F-0404-OFS45M	04	¼	6	9/16" - 18	1.16	29.5	0.31	8.0	0.43	10.9	0.67	1 1/16	17.0	150
F-0406-OFS45M	04	¼	6	1 1/16" - 16	1.14	29.0	0.37	9.5	0.44	11.3	0.87	7/8	22.0	150
F-0606-OFS45M	06	3/8	10	1 1/16" - 16	1.40	35.5	0.37	9.5	0.43	11.0	0.87	7/8	22.0	100
F-0608-OFS45M	06	3/8	10	1 3/16" - 16	1.52	38.5	0.43	11.0	0.59	15.0	0.95	1 5/16	24.0	100
F-0808-OFS45M	08	½	12	1 3/16" - 16	1.69	43.0	0.43	11.0	0.56	14.3	0.95	1 5/16	24.0	75
F-0810-OFS45M	08	½	12	1" - 14	1.71	43.5	0.53	13.5	0.65	16.6	1.18	1 3/16	30.0	50
F-1010-OFS45M	10	5/8	16	1" - 14	2.34	59.5	0.53	13.5	0.80	20.3	1.18	1 3/16	30.0	40
F-1012-OFS45M	10	5/8	16	1 3/16" - 12	2.38	60.5	0.57	14.5	0.91	23.2	1.42	1 7/16	36.0	25
F-1212-OFS45M	12	¾	19	1 3/16" - 12	2.38	60.4	0.57	14.5	0.87	21.9	1.42	1 7/16	36.0	25
F-1216-OFS45M	12	¾	19	1 7/16" - 12	2.49	63.2	0.58	14.8	0.92	23.3	1.61	1 5/8	41.0	20
F-1616-OFS45M	16	1	25	1 7/16" - 12	2.87	73.0	0.58	14.8	0.96	24.4	1.61	1 5/8	41.0	15
F-2020-OFS45M	20	1 ¼	32	1 1/16" - 12	3.82	97.0	0.58	14.8	1.48	37.5	1.97	2	50.0	10





# F-OFS90S

ORFS Female Swivel 90° Bent Tube Short Drop

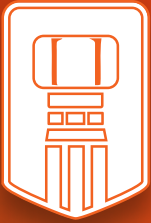


## USE WITH TEXCEL HOSE SERIES

HB3K, HB3K-XT, HB4K, HB4KXT, HB5K, HB5K-XT, HB6K, HBR1, HBR2, HHT2, HS4K, HS5K, HS5KXT, HS6K

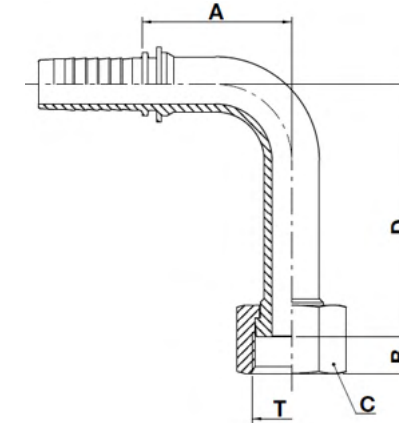
TWO-PIECE NO-SKIVE FITTING INSERT

CODE	HOSE			A	B		D		C			Box Qty		
	SIZE	INCH	DN		THREAD SIZE	[in]	[mm]	[in]	[mm]	[in]	[mm]		[in]	[mm]
F-0404-OFS90S	04	¼	6	9/16" - 18	1.08	27.5	0.31	8.0	0.89	22.5	0.67	1 1/16	17.0	150
F-0406-OFS90S	04	¼	6	1 1/16" - 16	1.08	27.5	0.37	9.5	0.90	23.0	0.87	7/8	22.0	100
F-0606-OFS90S	06	3/8	10	1 1/16" - 16	1.20	30.5	0.37	9.5	0.94	24.0	0.87	7/8	22.0	100
F-0608-OFS90S	06	3/8	10	1 3/16" - 16	1.24	31.5	0.43	11.0	1.18	30.0	0.95	15/16	24.0	75
F-0808-OFS90S	08	½	12	1 3/16" - 16	1.75	44.5	0.43	11.0	1.16	29.5	0.95	15/16	24.0	50
F-0810-OFS90S	08	½	12	1" - 14	1.48	37.5	0.53	13.5	1.34	34.0	1.18	1 3/16	30.0	40
F-1010-OFS90S	10	5/8	16	1" - 14	1.83	46.0	0.53	13.5	1.26	32.0	1.18	1 3/16	30.0	30
F-1012-OFS90S	10	5/8	16	1 3/16" - 12	2.11	53.5	0.57	14.5	1.89	48.0	1.42	1 7/16	36.0	30
F-1212-OFS90S	12	¾	19	1 3/16" - 12	2.40	61.0	0.57	14.5	1.89	48.0	1.42	1 7/16	36.0	20
F-1216-OFS90S	12	¾	19	1 7/16" - 12	2.24	57.0	0.58	14.8	2.20	56.0	1.61	1 5/8	41.0	15
F-1616-OFS90S	16	1	25	1 7/16" - 12	2.80	71.0	0.58	14.8	2.20	56.0	1.61	1 5/8	41.0	12
F-2020-OFS90S	20	31	31	1 1/16" - 12	3.37	85.5	0.58	14.8	3.03	77.0	1.97	2	50.0	10



# F-OFS90L

ORFS Female Swivel 90° Bent Tube Long Drop



## USE WITH TEXCEL HOSE SERIES

HB3K, HB3K-XT, HB4K, HB4KXT, HB5K, HB5K-XT, HB6K, HBR1, HBR2, HHT2, HS4K, HS5K, HS5KXT, HS6K

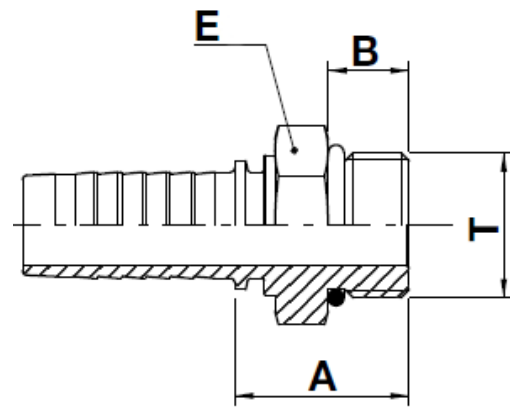
TWO-PIECE NO-SKIVE FITTING INSERT

CODE	HOSE			A	B		D		C			Box Qty		
	SIZE	INCH	DN		THREAD SIZE	[in]	[mm]	[in]	[mm]	[in]	[mm]		[in]	[mm]
F-0404-OFS90L	04	¼	6	9/16" - 18	1.16	29.5	0.31	8.0	1.81	46.0	0.75	¾	19.0	150
F-0606-OFS90L	06	3/8	10	1 1/16" - 16	1.24	31.5	0.37	9.5	2.13	54.0	0.87	7/8	22.0	75
F-0808-OFS90L	08	½	12	1 3/16" - 16	1.57	40.0	0.43	11.0	2.52	64.0	0.95	15/16	24.0	40
F-1010-OFS90L	10	5/8	16	1" - 14	2.11	53.5	0.53	13.5	2.76	70.0	1.18	1 3/16	30.0	25
F-1212-OFS90L	12	¾	19	1 3/16" - 12	2.24	57.0	0.57	14.5	3.78	96.0	1.42	1 7/16	36.0	15
F-1616-OFS90L	16	1	25	1 7/16" - 12	2.77	70.3	0.58	14.8	4.49	114.0	1.61	1 5/8	41.0	8



# F-OBM

O-RING Boss Male



## USE WITH TEXCEL HOSE SERIES

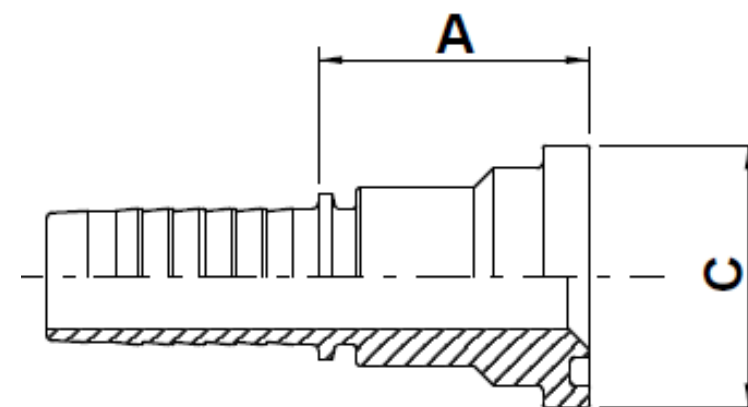
HB3K, HB3K-XT, HB4K, HB4KXT, HB5K, HB5K-XT, HB6K, HBR1, HBR2, HHT2, HS4K, HS5K, HS5KXT, HS6K

TWO-PIECE NO-SKIVE FITTING INSERT

CODE	HOSE			THREAD SIZE	A		B		E		Box Qty	
	SIZE	INCH	DN		[in]	[mm]	[in]	[mm]	[in]	[in]		[mm]
F-0404-OBM	04	¼	6	7/16" - 20	0.87	22.0	0.36	9.12	0.55	9/16	14.0	200
F-0406-OBM	04	¼	6	9/16" - 18	0.96	24.5	0.39	10.0	0.67	11/16	17.0	100
F-0606-OBM	06	3/8	10	9/16" - 18	0.96	24.5	0.39	9.9	0.67	11/16	17.0	100
F-0608-OBM	06	3/8	10	¾" - 16	1.04	26.5	0.44	11.1	0.87	7/8	22.0	100
F-0808-OBM	08	½	12	¾" - 16	1.06	27.0	0.44	11.1	0.87	7/8	22.0	100
F-0810-OBM	08	½	12	7/8" - 14	1.14	29.0	0.50	12.7	1.06	1 1/16	27.0	80
F-0812-OBM	08	½	12	1 1/16" - 12	1.26	32.0	0.59	15.1	1.26	1 ¼	32.0	50
F-1010-OBM	10	5/8	16	7/8" - 14	1.14	29.0	0.50	12.7	1.06	1 1/16	27.0	50
F-1212-OBM	12	¾	19	1 1/16" - 12	1.28	32.5	0.59	15.0	1.26	1 ¼	32.0	40
F-1616-OBM	16	1	25	1 5/16" - 12	1.54	39.1	0.59	15.1	1.50	1 ½	38.0	25

# F-FL

Code 61 Flange



## USE WITH TEXCEL HOSE SERIES

HB3K, HB3K-XT, HB4K, HB4KXT, HB5K, HB5K-XT, HB6K, HBR1, HBR2, HHT2, HS4K, HS5K, HS5KXT, HS6K

TWO-PIECE NO-SKIVE FITTING INSERT

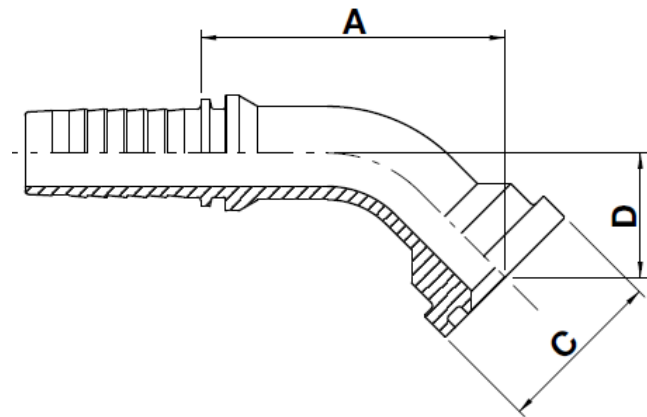
CODE	HOSE			FLANGE	A		C		Box Qty
	SIZE	INCH	DN		[in]	[mm]	[in]	[mm]	
F-1212-FL	12	¾	19	¾"	1.56	39.5	1.50	38.0	30
F-1216-FL	12	¾	19	1"	1.81	46.0	1.75	44.4	20
F-1616-FL	16	1	25	1"	1.87	47.5	1.75	44.4	15
F-1620-FL	16	1	25	1 ¼"	1.91	48.5	2.00	50.8	15
F-2020-FL	20	1 ¼	31	1 ¼"	1.95	49.5	2.00	50.8	10





## F-FL45

Code 61 Flange 45° Bend



### USE WITH TEXCEL HOSE SERIES

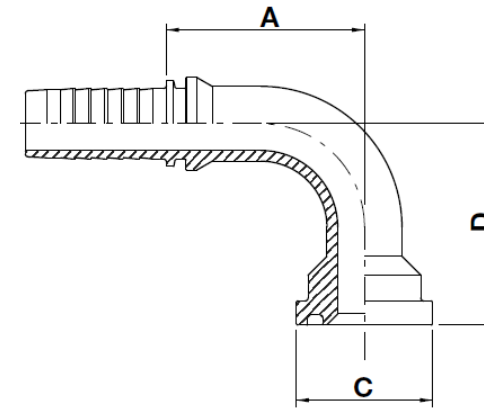
HB3K, HB3K-XT, HB4K, HB4KXT, HB5K, HB5K-XT, HB6K, HBR1, HBR2, HHT2, HS4K, HS5K, HS5KXT, HS6K

TWO-PIECE NO-SKIVE FITTING INSERT

CODE	HOSE			FLANGE	A		C		D		Box Qty
	SIZE	INCH	DN		[in]	[mm]	[in]	[mm]	[in]	[mm]	
F-1212-FL45	12	3/4	19	3/4"	2.70	68.5	1.50	38.0	1.10	27.9	20
F-1216-FL45	12	3/4	19	1"	2.77	70.5	1.75	44.4	1.14	29.0	15
F-1616-FL45	16	1	25	1"	2.93	74.4	1.75	44.4	1.06	27.0	10
F-1620-FL45	16	1	25	1 1/4"	3.00	76.2	2.00	50.8	1.14	29.0	10
F-2020-FL45	20	1 1/4	31	1 1/4"	3.46	88.0	2.00	50.8	1.22	31.1	10

## F-FL90

Code 61 Flange 90° Bend



### USE WITH TEXCEL HOSE SERIES

HB3K, HB3K-XT, HB4K, HB4KXT, HB5K, HB5K-XT, HB6K, HBR1, HBR2, HHT2, HS4K, HS5K, HS5KXT, HS6K

TWO-PIECE NO-SKIVE FITTING INSERT

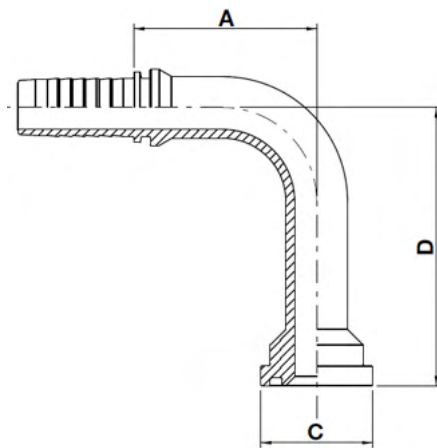
CODE	HOSE			FLANGE	A		C		D		Box Qty
	SIZE	INCH	DN		[in]	[mm]	[in]	[mm]	[in]	[mm]	
F-1212-FL90	12	3/4	19	3/4"	2.19	55.5	1.50	38.0	2.22	56.5	20
F-1216-FL90	12	3/4	19	1"	2.19	55.5	1.75	44.4	2.28	58.0	15
F-1616-FL90	16	1	25	1"	2.76	70.0	1.75	44.4	2.40	61.0	10
F-1620-FL90	16	1	25	1 1/4"	2.75	69.9	2.00	50.8	2.40	61.0	10
F-2020-FL90	20	1 1/4	31	1 1/4"	3.42	86.8	2.00	50.8	2.72	69.2	10





# F-FL90L

Code 61 Flange 90° Long Bend

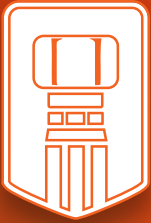


## USE WITH TEXCEL HOSE SERIES

HS4K, HS5K, HS5KXT, HS6K

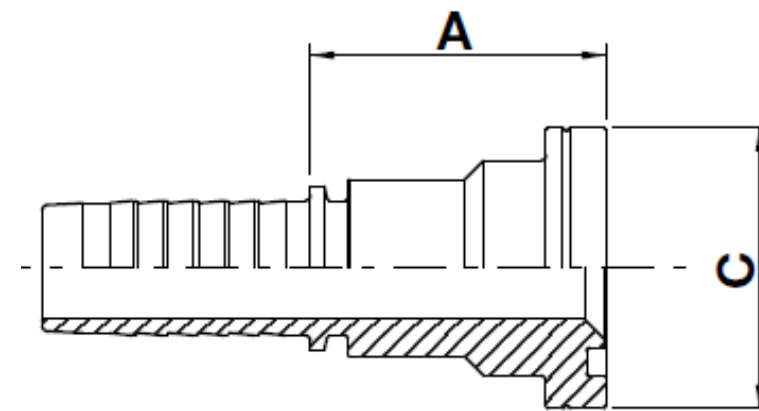
TWO-PIECE NO-SKIVE FITTING INSERT

CODE	HOSE			FLANGE	A		C		D		Box Qty
	SIZE	INCH	DN		[in]	[mm]	[in]	[mm]	[in]	[mm]	
F-1212-FL90L125	12	3/4	19	3/4"	2.45	62.2	1.50	38.0	4.92	125.0	10
F-1616-FL90L120	16	1	25	1"	2.76	70.0	1.75	44.4	4.72	120.0	8



# F-FLH

Code 62 Flange



## USE WITH TEXCEL HOSE SERIES

HS4K, HS5K, HS5KXT, HS6K

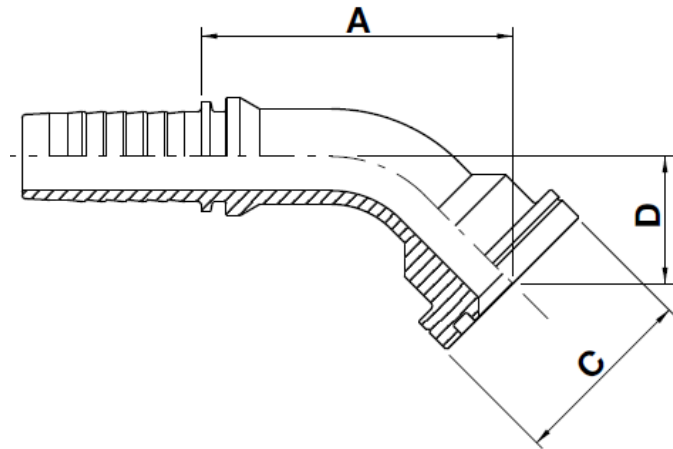
TWO-PIECE NO-SKIVE FITTING INSERT

CODE	HOSE			FLANGE	A		C		Box Qty
	SIZE	INCH	DN		[in]	[mm]	[in]	[mm]	
F-1212-FLH	12	3/4	19	3/4"	1.71	43.5	1.63	41.3	20
F-1216-FLH	12	3/4	19	1"	2.32	59.0	1.88	47.6	15
F-1616-FLH	16	1	25	1"	2.38	60.5	1.88	47.6	15
F-1620-FLH	16	1	25	1 1/4"	2.66	67.5	2.13	54.0	10
F-2020-FLH	20	1 1/4	31	1 1/4"	2.83	71.9	2.13	54.0	15



# F-FLH45

Code 62 Flange 45° Bend



## USE WITH TEXCEL HOSE SERIES

HS4K, HS5K, HS5KXT, HS6K

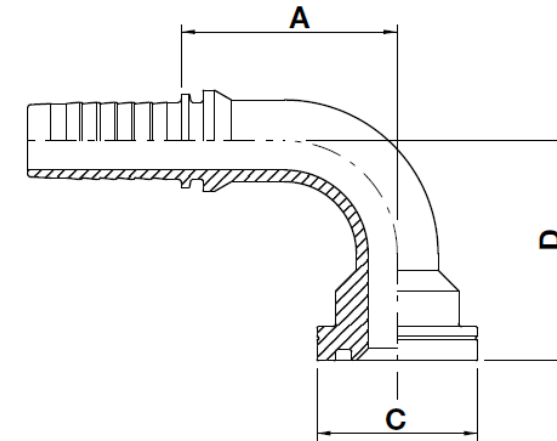
TWO-PIECE NO-SKIVE FITTING INSERT

CODE	HOSE			FLANGE	A		C		D		Box Qty
	SIZE	INCH	SDN		[in]	[mm]	[in]	[mm]	[in]	[mm]	
F-1212-FLH45	12	¾	19	¾"	2.70	68.7	1.63	41.3	1.10	27.9	20
F-1216-FLH45	12	¾	19	1"	2.94	74.7	1.88	47.6	1.33	33.9	15
F-1616-FLH45	16	1	25	1"	3.11	78.9	1.88	47.6	1.21	30.8	10
F-1620-FLH45	16	1	25	1 ¼"	3.74	95.0	2.13	54.0	1.59	39.9	15
F-2020-FLH45	20	1 ¼	31	1 ¼"	4.55	115.5	2.13	54.0	1.72	43.8	10



# F-FLH90

Code 62 Flange 90° Bend



## USE WITH TEXCEL HOSE SERIES

HS4K, HS5K, HS5KXT, HS6K

TWO-PIECE NO-SKIVE FITTING INSERT

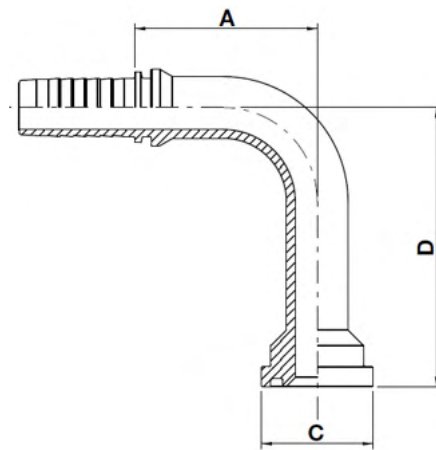
CODE	HOSE			FLANGE	A		C		D		Box Qty
	SIZE	INCH	DN		[in]	[mm]	[in]	[mm]	[in]	[mm]	
F-1212-FLH90	12	¾	19	¾"	2.19	55.5	1.63	41.3	2.22	56.5	20
F-1216-FLH90	12	¾	19	1"	2.19	55.5	1.88	47.6	3.07	78.0	15
F-1616-FLH90	16	1	25	1"	2.99	76.0	1.88	47.6	2.60	66.0	10
F-1620-FLH90	16	1	25	1 ¼"	3.07	78.0	2.13	54.0	3.17	80.5	8
F-2020-FLH90	20	1 ¼	31	1 ¼"	4.00	101.7	2.13	54.0	3.39	86.0	10





# F-FLH90L

Code 62 Flange 90° Bend Long Drop

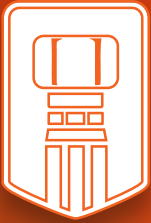


## USE WITH TEXCEL HOSE SERIES

HS4K, HS5K, HS5KXT, HS6K

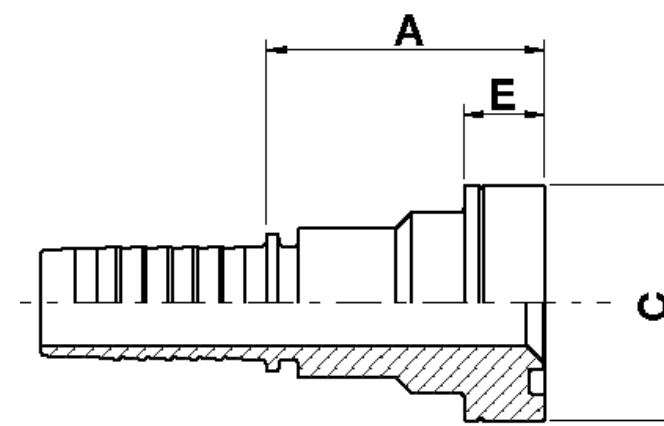
TWO-PIECE NO-SKIVE FITTING INSERT

CODE	HOSE			FLANGE	A		C		D		Box Qty
	SIZE	INCH	DN		[in]	[mm]	[in]	[mm]	[in]	[mm]	
F-1616-FLH90L120	16	1	25	1"	2.99	76.0	1.88	47.6	4.72	120.0	8



# F-FLHC

Code 62 CAT Flange



## USE WITH TEXCEL HOSE SERIES

HS4K, HS5K, HS5KXT, HS6K

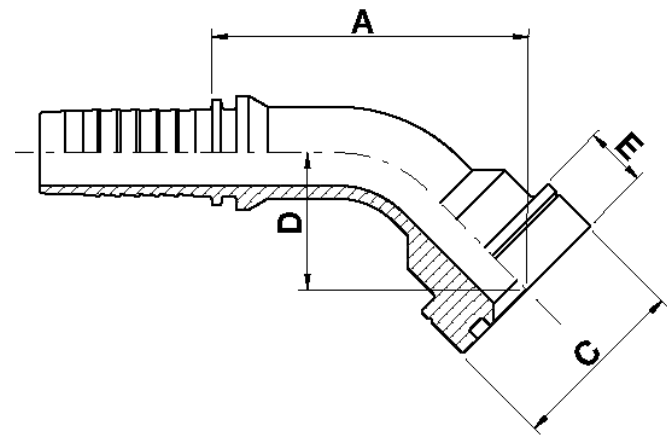
TWO-PIECE NO-SKIVE FITTING INSERT

CODE	HOSE			FLANGE	A		C		E		Box Qty
	SIZE	INCH	DN		[in]	[mm]	[in]	[mm]	[in]	[mm]	
F-1212-FLHC	12	3/4	19	3/4"	1.95	49.5	1.63	41.3	0.57	14.5	20
F-1216-FLHC	12	3/4	19	1"	2.51	64.0	1.88	47.6	0.57	14.5	20
F-1616-FLHC	16	1	25	1"	2.58	65.5	1.88	47.6	0.57	14.5	15
F-1620-FLHC	16	1	25	1 1/4"	2.87	73.0	2.13	54.0	0.57	14.5	12
F-2020-FLHC	20	1 1/4	31	1 1/4"	3.00	76.1	2.13	54.0	0.57	14.5	10



# F-FLH45C

Code 62 CAT Flange 45° Bend

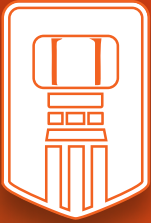


## USE WITH TEXCEL HOSE SERIES

HS4K, HS5K, HS5KXT, HS6K

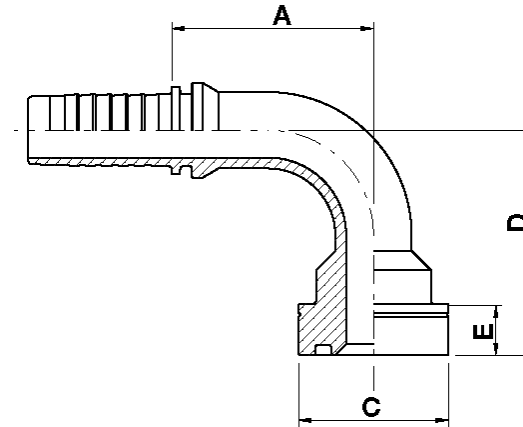
TWO-PIECE NO-SKIVE FITTING INSERT

CODE	HOSE			FLANGE	A		C		D		E		Box Qty
	SIZE	INCH	DN		[in]	[mm]	[in]	[mm]	[in]	[mm]	[in]	[mm]	
F-1212-FLH45C	12	3/4	19	3/4"	3.36	85.4	1.63	41.3	1.27	32.5	0.57	14.5	20
F-1216FLH45C	12	3/4	19	1"	3.18	80.7	1.88	47.6	1.48	37.5	0.57	14.5	15
F-1616-FLH45C	16	1	25	1"	3.24	82.2	1.88	47.6	1.36	34.7	0.57	14.5	10
F-1620-FLH45C	16	1	25	1 1/4"	3.67	93.2	2.13	54.0	1.65	41.9	0.57	14.5	15
F-2020-FLH45C	20	1 1/4	31	1 1/4"	4.67	118.5	2.13	54.0	1.83	46.5	0.57	14.5	6



# F-FLH90C

Code 62 CAT Flange 90° Bend



## USE WITH TEXCEL HOSE SERIES

HS4K, HS5K, HS5KXT, HS6K

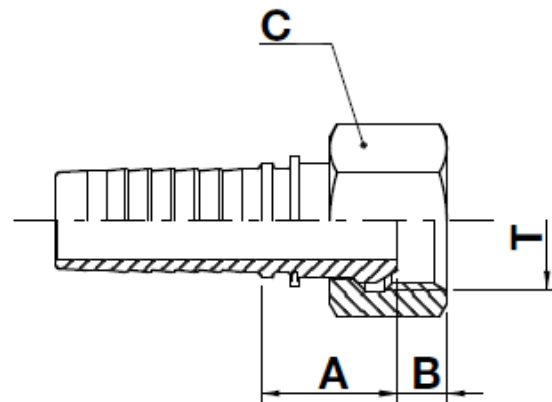
TWO-PIECE NO-SKIVE FITTING IN SERT

CODE	HOSE			FLANGE	A		C		D		E		Box Qty
	SIZE	INCH	DN		[in]	[mm]	[in]	[mm]	[in]	[mm]	[in]	[mm]	
F-1212-FLH90C	12	3/4	19	3/4"	2.19	55.5	1.63	41.3	2.44	62.0	0.57	14.5	20
F-1216-FLH90C	12	3/4	19	1"	2.19	55.5	1.88	47.6	2.76	70.0	0.57	14.5	15
F-1616-FLH90C	16	1	25	1"	2.98	75.6	1.88	47.6	2.80	71.0	0.57	14.5	10
F-1620-FLH90C	16	1	25	1 1/4"	2.94	74.6	2.13	54.0	3.31	84.0	0.57	14.5	8
F-2020-FLH90C	20	1 1/4	31	1 1/4"	4.09	104.0	2.13	54.0	3.55	90.2	0.57	14.5	5



# F-BFS

BSPP Female Swivel

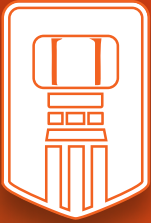


## USE WITH TEXCEL HOSE SERIES

HB3K, HB3K-XT, HB4K, HB4KXT, HB5K, HB5K-XT, HB6K, HBR1, HBR2, HHT2, HS4K, HS5K, HS5KXT, HS6K

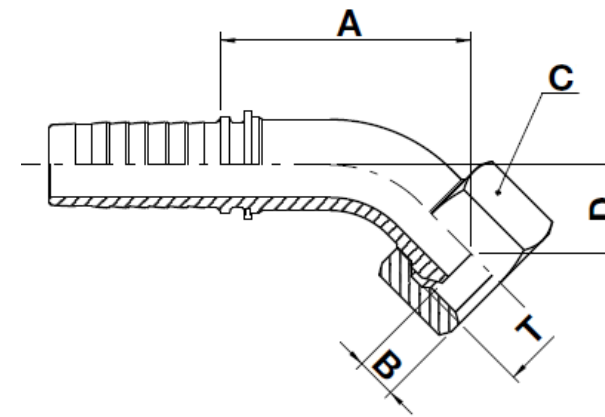
TWO-PIECE NO-SKIVE FITTING INSERT

CODE	HOSE		THREAD SIZE	A		B		C			Box Qty	
	SIZE	INCH DN		[in]	[mm]	[in]	[mm]	[in]	[in]	[mm]		
F-0404-BFS	04	¼	6	¼" - 19	0.69	17.5	0.17	4.2	0.75	¾	19.0	200
F-0606-BFS	06	⅜	10	⅜" - 19	0.73	18.5	0.24	6.0	0.87	⅞	22.0	150
F-0808-BFS	08	½	12	½" - 14	0.83	21.0	0.26	6.5	1.06	1 ⅙	27.0	100
F-1010-BFS	10	⅝	16	⅝" - 14	0.71	18.0	0.37	9.5	1.06	1 ⅙	27.0	75
F-1212-BFS	12	¾	19	¾" - 14	0.86	21.8	0.34	8.7	1.26	1 ¼	32.0	50
F-1616-BFS	16	1	25	1" - 11	1.12	28.5	0.41	10.5	1.50	1 ½	38.0	20



# F-BSPFS45

BSPP Female Swivel 45° Bent Tube



## USE WITH TEXCEL HOSE SERIES

HB3K, HB3K-XT, HB4K, HB4KXT, HB5K, HB5K-XT, HB6K, HBR1, HBR2, HHT2, HS4K, HS5K, HS5KXT, HS6K

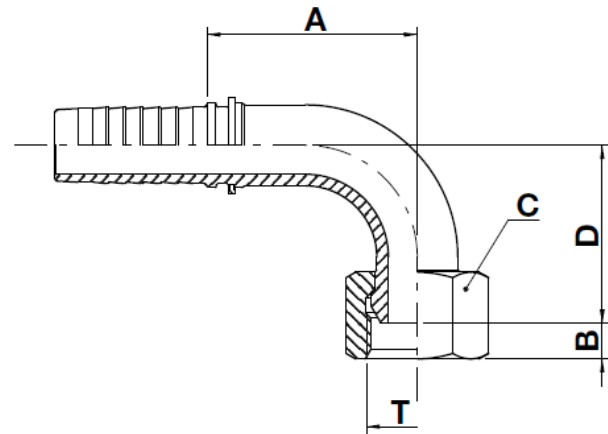
TWO-PIECE NO-SKIVE FITTING INSERT

CODE	HOSE		THREAD SIZE	A		B		D		C			Box Qty	
	SIZE	INCH DN		[in]	[mm]	[in]	[mm]	[in]	[mm]	[in]	[in]	[mm]		
F-0404-BSPFS45	04	¼	6	¼" - 19	1.28	32.5	0.17	4.2	0.51	13.0	0.75	¾	19.0	200
F-0606-BSPFS45	06	⅜	10	⅜" - 19	1.48	37.6	0.24	6.0	0.58	14.6	0.87	⅞	22.0	100
F-0808-BSPFS45	08	½	12	½" - 14	1.81	45.9	0.26	6.5	0.71	18.0	1.06	1 ⅙	27.0	50
F-1212-BSPFS45	12	¾	19	¾" - 14	2.66	67.4	0.34	8.7	1.06	26.9	1.26	1 ¼	32.0	25
F-1616-BSPFS45	16	1	25	1" - 11	3.29	83.6	0.41	10.5	1.33	33.8	1.50	1 ½	38.0	10



# F-BSPFS90

BSPP Female Swivel 90° Bent Tube

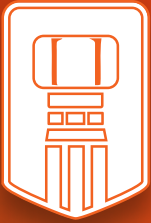


## USE WITH TEXCEL HOSE SERIES

HB3K, HB3K-XT, HB4K, HB4KXT, HB5K, HB5K-XT, HB6K, HBR1, HBR2, HHT2, HS4K, HS5K, HS5KXT, HS6K

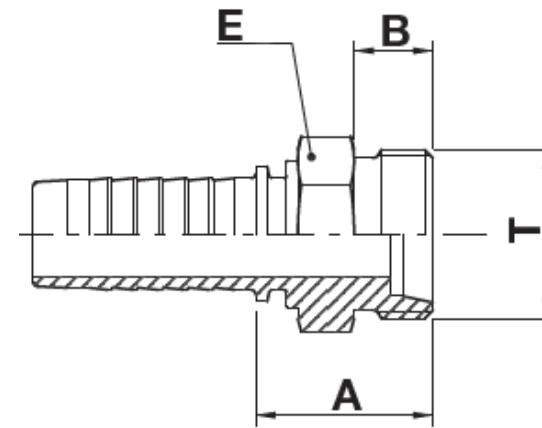
TWO-PIECE NO-SKIVE FITTING INSERT

CODE	HOSE			THREAD SIZE	A		B		D		C		Box Qty	
	SIZE	INCH	DN		[in]	[mm]	[in]	[mm]	[in]	[mm]	[in]	[in]		[mm]
F-0404-BSPFS90	04	¼	6	¼" - 19	1.09	27.6	0.17	4.2	1.08	27.5	0.75	¾	19.0	200
F-0606-BSPFS90	06	⅜	10	⅜" - 19	1.24	31.5	0.24	6.0	1.16	29.5	0.87	⅞	22.0	100
F-0808-BSPFS90	08	½	12	½" - 14	1.47	37.2	0.26	6.5	1.42	36.0	1.06	1 ⅛	27.0	50
F-1010-BSPFS90	10	⅝	16	⅝" - 14	2.13	54.0	0.37	9.5	1.97	50.0	1.06	1 ⅛	27.0	30
F-1212-BSPFS90	12	¾	19	¾" - 14	2.19	55.5	0.34	8.7	2.17	55.0	1.26	1 ¼	32.0	20
F-1616-BSPFS90	16	1	25	1" - 11	2.83	72.0	0.41	10.5	2.80	71.0	1.50	1 ½	38.0	10



# F-DLM

DKL Male



## USE WITH TEXCEL HOSE SERIES

HB3K, HB3K-XT, HB4K, HB4KXT, HB5K, HB5K-XT, HB6K, HBR1, HBR2, HHT2, HS4K, HS5K, HS5KXT, HS6K

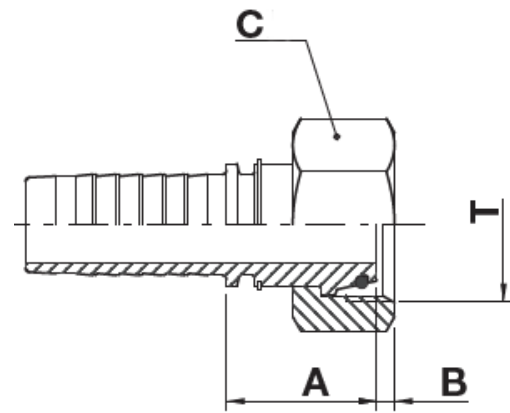
TWO-PIECE NO-SKIVE FITTING INSERT

CODE	HOSE			THREAD SIZE	TUBE SIZE	A		B		E		Box Qty	
	SIZE	INCH	DN			[in]	[mm]	[in]	[mm]	[in]	[in]		[mm]
F-0412-DLM	04	¼	6	M12X1.5	6L	0.89	22.5	0.39	10.0	0.55	⅙	14.0	350
F-0414-DLM	04	¼	6	M14X1.5	8L	0.89	22.5	0.39	10.0	0.55	⅙	14.0	150
F-0416-DLM	04	¼	6	M16X1.5	10L	0.96	24.5	0.43	11.0	0.67	1 ⅛	17.0	100
F-0616-DLM	06	⅜	10	M16X1.5	10L	0.96	24.5	0.43	11.0	0.67	1 ⅛	17.0	200
F-0618-DLM	06	⅜	10	M18X1.5	12L	0.98	25.0	0.43	11.0	0.75	¼	19.0	200
F-0622-DLM	06	⅜	10	M22X1.5	15L	1.02	26.0	0.47	12.0	0.87	⅞	22.0	150
F-0822-DLM	08	½	12	M22X1.5	15L	1.04	26.5	0.47	12.0	0.87	⅞	22.0	100
F-0826-DLM	08	½	12	M26X1.5	18L	1.14	29.0	0.47	12.0	1.06	1 ⅛	27.0	75
F-1026-DLM	10	⅝	16	M26X1.5	18L	1.14	29.0	0.47	12.0	1.06	1 ⅛	27.0	75



# F-DLFS

DKOL Female Swivel



## USE WITH TEXCEL HOSE SERIES

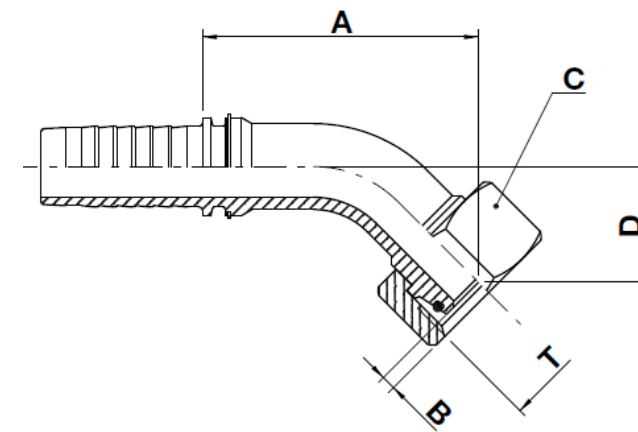
HB3K, HB3K-XT, HB4K, HB4KXT, HB5K, HB5K-XT, HB6K, HBR1, HBR2, HHT2, HS4K, HS5K, HS5KXT, HS6K

TWO-PIECE NO-SKIVE FITTING INSERT

CODE	HOSE			THREAD SIZE	TUBE SIZE	A		B		C		Box Qty	
	SIZE	INCH	DN			[in]	[mm]	[in]	[mm]	[in]	↻[in]		[mm]
F-0412-DLFS	04	¼	6	M12X1.5	6L	0.82	19.5	0.10	2.6	0.63	5/8	16.0	250
F-0414-DLFS	04	¼	6	M14X1.5	8L	0.98	25.0	0.06	1.5	0.67	11/16	17.0	200
F-0416-DLFS	04	¼	6	M16X1.5	10L	1.08	27.5	0.06	1.5	0.75	¾	19.0	200
F-0418-DLFS	04	¼	6	M18X1.5	12L	1.02	26.0	0.06	1.5	0.87	7/8	22.0	150
F-0616-DLFS	06	⅜	10	M16X1.5	10L	0.91	23.0	0.14	3.5	0.75	¾	19.0	150
F-0618-DLFS	06	⅜	10	M18X1.5	12L	1.02	26.0	0.06	1.5	0.87	7/8	22.0	150
F-0622-DLFS	06	⅜	10	M22X1.5	15L	1.12	28.5	0.10	2.5	1.06	1 1/16	27.0	75
F-0822-DLFS	08	½	12	M22X1.5	15L	1.12	28.5	0.10	2.5	1.06	1 1/16	27.0	100
F-0826-DLFS	08	½	12	M26X1.5	18L	1.18	30.0	0.08	2.0	1.26	1 ¼	32.0	50
F-1026-DLFS	10	⅝	16	M26X1.5	18L	1.14	29.0	0.08	2.0	1.26	1 ¼	32.0	50
F-1230-DLFS	12	¾	19	M30X2	22L	1.16	29.5	0.14	3.5	1.42	1 7/16	36.0	40
F-1636-DLFS	16	1	25	M36X2	28L	1.26	32.0	0.14	3.5	1.61	1 5/8	41.0	20
F-2045-DLFS	20	1 ¼	31	M45X2	35L	1.56	39.5	0.08	2.0	1.97	2	50.0	20

# F-DLFS45

DKOL Female Swivel 45° Bent Tube

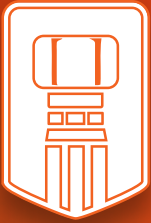


## USE WITH TEXCEL HOSE SERIES

HB3K, HB3K-XT, HB4K, HB4KXT, HB5K, HB5K-XT, HB6K, HBR1, HBR2, HHT2, HS4K, HS5K, HS5KXT, HS6K

TWO-PIECE NO-SKIVE FITTING INSERT

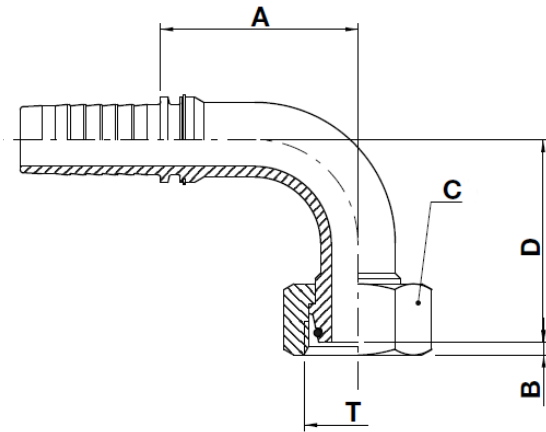
CODE	HOSE			THREAD SIZE	TUBE SIZE	A		B		D		C		Box Qty	
	SIZE	INCH	DN			[in]	[mm]	[in]	[mm]	[in]	[mm]	[in]	↻[in]		[mm]
F-0414-DLFS45	04	¼	6	M14X1.5	8L	1.39	35.2	0.06	1.5	0.61	15.5	0.67	11/16	17.0	200
F-0416-DLFS45	04	¼	6	M16X1.5	10L	1.43	36.3	0.06	1.5	0.65	16.6	0.75	¾	19.0	150
F-0616-DLFS45	06	⅜	10	M16X1.5	10L	1.76	44.6	0.14	3.5	0.86	21.7	0.75	¾	19.0	50
F-0618-DLFS45	06	⅜	10	M18X1.5	12L	1.68	42.6	0.06	1.5	0.76	19.2	0.87	7/8	22.0	100
F-0822-DLFS45	08	½	12	M22x1.5	15L	1.90	48.2	0.10	2.5	0.82	20.8	1.06	1 1/16	27.0	50
F-1026-DLFS45	10	⅝	16	M26X1.5	18L	2.46	62.5	0.08	2.0	1.00	25.5	1.26	1 ¼	32.0	30
F-1230-DLFS45	12	¾	19	M30X2	22L	2.66	67.5	0.14	3.5	1.11	28.3	1.42	1 7/16	36.0	20
F-1636-DLFS45	16	1	25	M36X2	28L	3.35	85.0	0.14	3.5	1.30	33.1	1.61	1 5/8	41.0	12
F-2045-DLFS45	20	1 ¼	31	M45X2	35L	4.04	102.5	0.08	2.0	1.65	42.0	1.97	2	50.0	10





# F-DLFS90

DKOL Female Swivel 90° Bent Tube

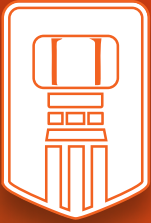


## USE WITH TEXCEL HOSE SERIES

HB3K, HB3K-XT, HB4K, HB4KXT, HB5K, HB5K-XT, HB6K, HBR1, HBR2, HHT2, HS4K, HS5K, HS5KXT, HS6K

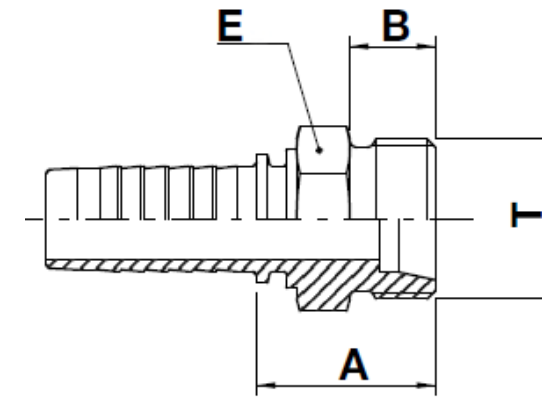
TWO-PIECE NO-SKIVE FITTING INSERT

CODE	HOSE			TUBE SIZE	A		B		D		C		Box Qty		
	SIZE	INCH	DN		THREAD SIZE	[in]	[mm]	[in]	[mm]	[in]	[mm]	[in]		[mm]	
F-0412-DLFS90	04	¼	6	M12X1.5	6L	1.21	30.7	0.10	2.6	1.18	30.0	0.63	5/8	16.0	200
F-0414-DLFS90	04	¼	6	M14X1.5	8L	1.10	28.0	0.06	1.5	1.22	31.0	0.67	11/16	17.0	150
F-0416-DLFS90	04	¼	6	M16X1.5	10L	1.11	28.2	0.06	1.5	1.28	32.5	0.75	¾	19.0	150
F-0616-DLFS90	06	¾	10	M16X1.5	10L	1.34	34.0	0.14	3.5	1.56	39.5	0.75	¾	19.0	100
F-0618-DLFS90	06	¾	10	M18X1.5	12L	1.20	30.5	0.06	1.5	1.42	36.0	0.87	7/8	22.0	100
F-0822-DLFS90	08	½	12	M22X1.5	15L	1.50	38.2	0.10	2.5	1.57	40.0	1.06	1 1/16	27.0	50
F-0826-DLFS90	08	½	12	M26X1.5	18L	1.54	39.0	0.08	2.0	1.93	49.0	1.26	1 ¼	32.0	40
F-1026-DLFS90	10	5/8	16	M26X1.5	18L	2.13	54.0	0.08	2.0	2.09	53.0	1.26	1 ¼	32.0	30
F-1230-DLFS90	12	¾	19	M30X2	22L	2.19	55.5	0.14	3.5	2.24	57.0	1.42	1 7/16	36.0	20
F-1636-DLFS90	16	1	25	M36X2	28L	2.91	74.0	0.14	3.5	2.71	69.0	1.61	1 5/8	41.0	10
F-2045-DLFS90	20	1 ¼	31	M45X2	35L	3.37	85.5	0.08	2.0	3.27	83.0	1.97	2	50.0	10



# F-DHM

DKS Male



## USE WITH TEXCEL HOSE SERIES

HB3K, HB3K-XT, HB4K, HB4KXT, HB5K, HB5K-XT, HB6K, HBR1, HBR2, HHT2, HS4K, HS5K, HS5KXT, HS6K

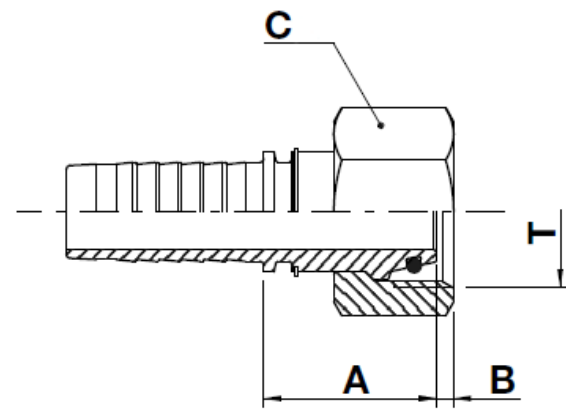
TWO-PIECE NO-SKIVE FITTING INSERT

CODE	HOSE			TUBE SIZE	A		B		E		Box Qty		
	SIZE	INCH	DN		THREAD SIZE	[in]	[mm]	[in]	[mm]	[in]		[mm]	
F-0620-DHM	06	¾	10	M20X1.5	12S	1.02	26.0	0.47	12.0	0.87	7/8	22.0	150
F-0824-DHM	08	½	12	M24X1.5	16S	1.12	28.5	0.55	14.0	0.95	15/16	24.0	100
F-1230-DHM	12	¾	19	M30X2	20S	1.32	33.5	0.63	16.0	1.18	1 3/16	30.0	20
F-1236-DHM	12	¾	19	M36X2	25S	1.44	36.5	0.71	18.0	1.42	1 7/16	36.0	50
F-1642-DHM	16	1	25	M42X2	30S	1.61	41.0	0.79	20.0	1.81	1 13/16	46.0	40



# F-DHFS

DKOS Female Swivel



## USE WITH TEXCEL HOSE SERIES

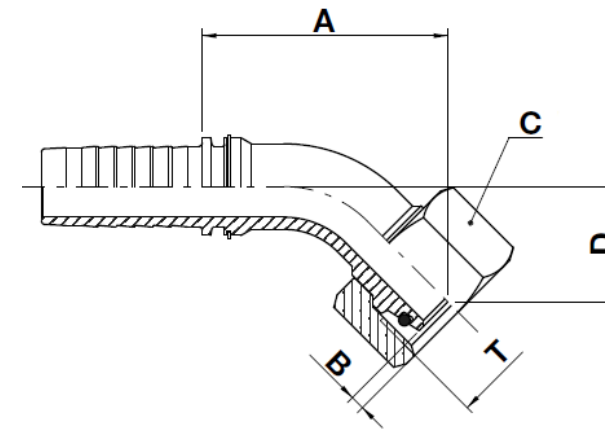
HB3K, HB3K-XT, HB4K, HB4KXT, HB5K, HB5K-XT, HB6K, HBR1, HBR2, HHT2, HS4K, HS5K, HS5KXT, HS6K

TWO-PIECE NO-SKIVE FITTING INSERT

CODE	HOSE			THREAD SIZE	TUBE SIZE	A		B		C		Box Qty	
	SIZE	INCH	DN			[in]	[mm]	[in]	[mm]	[in]	↗[in]		[mm]
F-0414-DHFS	04	¼	6	M14X1.5	6S	0.87	22.0	0.10	2.5	0.67	1 1/16	17.0	200
F-0416-DHFS	04	¼	6	M16X1.5	8S	1.04	26.5	0.10	2.5	0.75	¾	19.0	200
F-0418-DHFS	04	¼	6	M18X1.5	10S	1.32	33.5	0.08	2.0	0.87	7/8	22.0	150
F-0618-DHFS	06	¾	10	M18X1.5	10S	0.94	24.0	0.08	2.0	0.87	7/8	22.0	100
F-0620-DHFS	06	¾	10	M20X1.5	12S	1.04	26.5	0.08	2.0	0.95	15/16	24.0	100
F-0622-DHFS	06	¾	10	M22X1.5	14S	1.16	29.5	0.16	4.0	1.06	1 1/16	27.0	80
F-0824-DHFS	08	½	12	M24X1.5	16S	1.30	33.0	0.12	3.0	1.18	1 3/16	30.0	50
F-1030-DHFS	10	5/8	16	M30X2	20S	1.34	34.0	0.14	3.5	1.42	1 7/16	36.0	40
F-1230-DHFS	12	¾	19	M30X2	20S	1.36	34.5	0.14	3.5	1.42	1 7/16	36.0	30
F-1236-DHFS	12	¾	19	M36X2	25S	1.56	39.5	0.12	3.0	1.81	1 13/16	46.0	20
F-1636-DHFS	16	1	25	M36X2	25S	1.65	42.0	0.12	3.0	1.81	1 13/16	46.0	15
F-1642-DHFS	16	1	25	M42X2	30S	1.69	43.0	0.24	6.0	1.97	2	50.0	15
F-2052-DHFS	20	1 ¼	31	M52X2	38S	1.89	48.0	0.26	6.5	2.36	2 3/8	60.0	15

# F-DHFS45

DKOS Female Swivel 45° Bent Tube

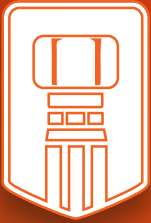


## USE WITH TEXCEL HOSE SERIES

HB3K, HB3K-XT, HB4K, HB4KXT, HB5K, HB5K-XT, HB6K, HBR1, HBR2, HHT2, HS4K, HS5K, HS5KXT, HS6K

TWO-PIECE NO-SKIVE FITTING INSERT

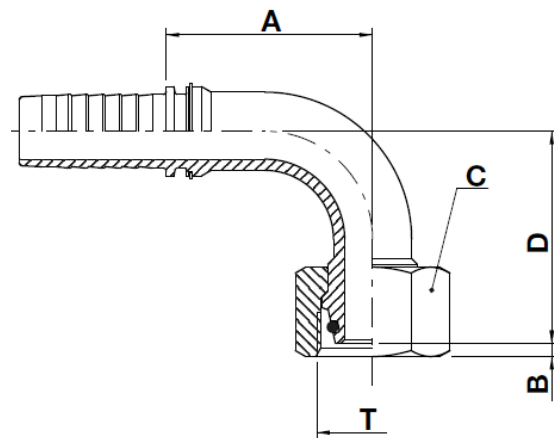
CODE	HOSE			THREAD SIZE	TUBE SIZE	A		B		D		C		Box Qty	
	SIZE	INCH	DN			[in]	[mm]	[in]	[mm]	[in]	[mm]	[in]	↗[in]		[mm]
F-0824-DHFS45	08	½	12	M24X1.5	16S	1.97	50.0	0.12	3.0	0.89	22.6	1.18	1 3/16	30.0	40
F-1230-DHFS45	12	¾	19	M30X2	20S	2.38	60.4	0.14	3.5	1.11	28.3	1.42	1 7/16	36.0	20
F-1236-DHFS45	12	¾	19	M36X2	25S	2.71	68.9	0.12	3.0	1.20	30.4	1.81	1 13/16	46.0	15
F-1642-DHFS45	16	1	25	M42X2	30S	3.50	89.0	0.24	6.0	1.45	37.0	1.92	2	50.0	10





# F-DHFS90

DKOS Female Swivel 90° Bent Tube

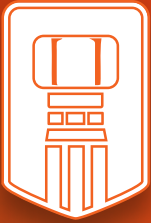


## USE WITH TEXCEL HOSE SERIES

HB3K, HB3K-XT, HB4K, HB4KXT, HB5K, HB5K-XT, HB6K, HBR1, HBR2, HHT2, HS4K, HS5K, HS5KXT, HS6K

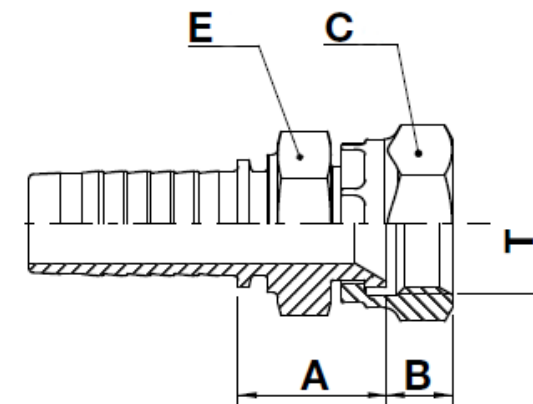
TWO-PIECE NO-SKIVE FITTING INSERT

CODE	HOSE			THREAD SIZE	TUBE SIZE	A		B		D		C		Box Qty	
	SIZE	INCH	DN			[in]	[mm]	[in]	[mm]	[in]	[mm]	[in]	[mm]		
F-0416-DHFS90	04	¼	6	M16X1.5	8S	1.11	28.2	0.10	2.5	1.28	32.5	0.75	¾	19.0	150
F-0418-DHFS90	04	¼	6	M18X1.5	10S	1.11	28.2	0.08	2.0	1.36	34.5	0.87	7/8	22.0	100
F-0620-DHFS90	06	⅜	10	M20X1.5	12S	1.20	30.5	0.08	2.0	1.42	36.0	0.95	15/16	24.0	100
F-0622-DHFS90	06	⅜	10	M22X1.5	14S	1.36	34.5	0.16	4.0	1.57	40.0	1.06	1 1/16	27.0	50
F-0824-DHFS90	08	½	12	M24X1.5	16S	1.50	38.2	0.12	3.0	1.67	42.5	1.18	1 3/16	30.0	50
F-1030-DHFS90	10	5/8	16	M30X2	20S	2.13	54.0	0.14	3.5	2.17	55.0	1.42	1 7/16	36.0	20
F-1230-DHFS90	12	¾	19	M30X2	20S	2.19	55.0	0.14	3.5	2.24	57.0	1.42	1 7/16	36.0	15
F-1236-DHFS90	12	¾	19	M36X2	25S	2.19	55.0	0.12	3.0	2.36	60.0	1.81	1 13/16	46.0	15
F-1636-DHFS90	16	1	25	M36X2	25S	2.91	74.0	0.12	3.0	2.81	71.5	1.81	1 13/16	46.0	8
F-1642-DHFS90	16	1	25	M42X2	30S	2.91	74.0	0.24	6.0	2.95	75.0	1.97	2	50.0	8
F-2052-DHFS90	20	1 ¼	31	M52X2	38S	4.02	102.0	0.26	6.5	3.76	95.6	2.36	2 3/8	60.0	8



# F-JISS

JIS Female Swivel 30° Seat



## USE WITH TEXCEL HOSE SERIES

HB3K, HB3K-XT, HB4K, HB4KXT, HB5K, HB5K-XT, HB6K, HBR1, HBR2, HHT2, HS4K, HS5K, HS5KXT, HS6K

TWO-PIECE NO-SKIVE FITTING INSERT

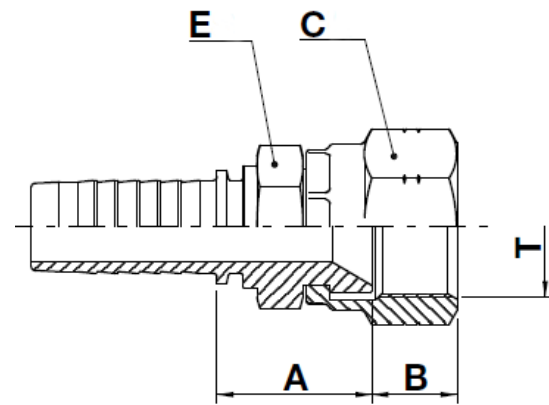
CODE	HOSE			THREAD SIZE	A		B		E		C		Box Qty		
	SIZE	INCH	DN		[in]	[mm]	[in]	[mm]	[in]	[mm]	[in]	[mm]			
F-0404-JISS	04	¼	6	¼" - 19	0.83	21.0	0.31	8.0	0.75	¾	19.0	0.75	¾	19.0	150
F-0606-JISS	06	⅜	10	⅜" - 19	0.87	22.0	0.37	9.5	0.75	¾	19.0	0.87	7/8	22.0	100
F-0808-JISS	08	½	12	½" - 14	0.98	25.0	0.43	11.0	0.87	7/8	22.0	1.06	1 1/16	27.0	80
F-1212-JISS	12	¾	19	¾" - 14	1.10	28.0	0.49	12.5	1.18	1 3/16	30.0	1.26	1 ¼	32.0	40
F-1616-JISS	16	1	25	1" - 11	1.30	33.0	0.55	14.0	1.26	1 ¼	32.0	1.50	1 ½	38.0	20





## F-KFS

Komatsu Female Swivel 30° Seat



### USE WITH TEXCEL HOSE SERIES

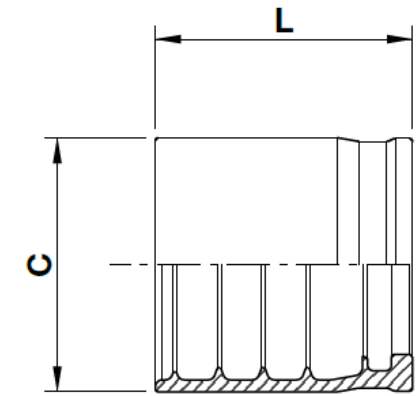
HB3K, HB3K-XT, HB4K, HB4KXT, HB5K, HB5K-XT, HB6K, HBR1, HBR2, HHT2, HS4K, HS5K, HS5KXT, HS6K

TWO-PIECE NO-SKIVE FITTING INSERT

CODE	HOSE			A		B		E		C			Box Qty		
	SIZE	INCH	DN	THREAD SIZE	[in]	[mm]	[in]	[mm]	[in]	↗[in]	[mm]	[in]		↗[in]	[mm]
F-0414-KFS	04	¼	6	M14X1.5	0.94	24.0	0.39	10.0	0.75	¾	19.0	0.75	¾	19.0	150
F-0618-KFS	06	⅜	10	M18X1.5	0.94	24.0	0.45	11.5	0.75	¾	19.0	0.95	15/16	24.0	100
F-0622-KFS	06	⅜	10	M22X1.5	1.00	25.5	0.55	14.0	0.75	¾	19.0	1.06	1 1/16	27.0	50
F-0822-KFS	08	½	12	M22X1.5	1.06	27.0	0.55	14.0	0.87	7/8	22.0	1.06	1 1/16	27.0	50
F-0824-KFS	08	½	12	M24X1.5	1.12	28.5	0.59	15.1	0.95	15/16	24.0	1.26	1 ¼	32.0	30
F-1024-KFS	10	5/8	16	M24X1.5	1.12	28.4	0.59	15.1	0.95	15/16	24.0	1.26	1 ¼	32.0	50
F-1230-KFS	12	¾	19	M30X1.5	1.30	33.0	0.72	18.3	1.18	1 3/16	30.0	1.42	1 7/16	36.0	25
F-1633-KFS	16	1	25	M33X1.5	1.37	34.7	0.84	21.3	1.26	1 ¼	32.0	1.61	1 5/8	41.0	20

## F1-FER

R1 Hose Ferrule

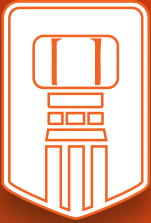


### USE WITH TEXCEL HOSE SERIES

HB3K

TWO-PIECE NO-SKIVE FERRULE

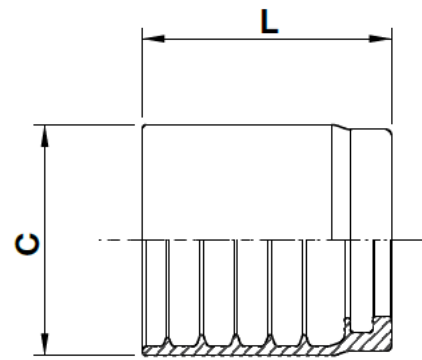
CODE	SIZE	HOSE			C		L		BOX QTY
		INCH	DN	[in]	[mm]	[in]	[mm]		
F1-4-FER	04	¼	6	0.79	20.0	0.92	23.5	250	
F1-6-FER	06	⅜	10	0.94	24.0	0.98	25.0	150	
F1-8-FER	08	½	12	1.10	28.0	1.10	28.0	100	





## F2-FER

Braided Hose Ferrule



### USE WITH TEXCEL HOSE SERIES

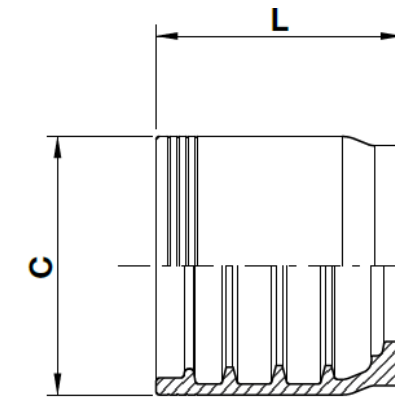
HB3K, HB3KXT, HB4K, HB4KXT, HB5K, HB5KXT, HB6K, HBR1, HBR2, HHT2

TWO-PIECE NO-SKIVE FERRULE

CODE	SIZE	HOSE		C		L		BOX QTY
		INCH	DN	[in]	[mm]	[in]	[mm]	
F2-4-FER	04	¼	6	0.91	23.0	1.18	30.0	150
F2-6-FER	06	⅜	10	1.02	26.0	1.24	31.5	100
F2-8-FER	08	½	12	1.14	29.0	1.32	33.5	100
F2-10-FER	10	⅝	16	1.26	32.0	1.42	36.0	70
F2-12-FER	12	¾	19	1.46	37.0	1.57	40.0	50
F2-16-FER	16	1	25	1.81	46.0	1.97	50.0	30
F2-20-FER	20	1¼	31	2.32	59.0	2.32	59.0	15
F2-24-FER	24	1½	38	2.64	67.0	2.64	67.0	10
F2-32-FER	32	2	51	3.15	80.0	3.23	82.0	9

## F4-FER

Spiral Hose Ferrule

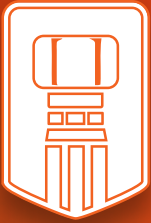


### USE WITH TEXCEL HOSE SERIES

HS3K, HS4K, HS5K, HS5KXT, H56K

TWO-PIECE NO-SKIVE FERRULE

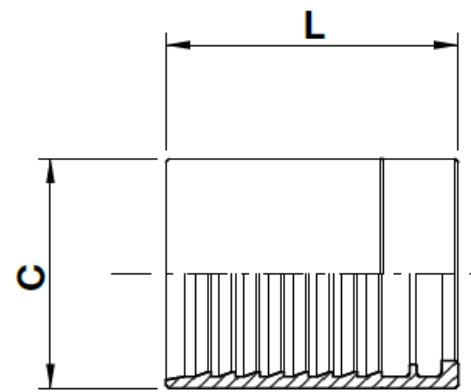
CODE	SIZE	HOSE		C		L		BOX QTY
		INCH	DN	[in]	[mm]	[in]	[mm]	
F4-8-FER	08	½	12	1.30	33.0	1.32	33.5	70
F4-10-FER	10	⅝	16	1.46	37.0	1.40	35.5	60
F4-12-FER	12	¾	19	1.65	42.0	1.57	40.0	30
F4-16-FER	16	1	25	1.97	50.0	2.16	55.0	25
F4-20-FER	20	1¼	31	2.40	61.0	2.40	61.0	15





## F7-FER

R7 Hose Ferrule



### USE WITH TEXCEL HOSE SERIES

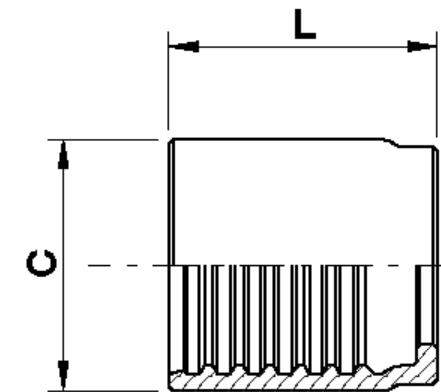
TR7, TTR7, TNCR7, TTNCR7

TWO-PIECE NO-SKIVE FERRULE

CODE	SIZE	HOSE		C		L		BOX QTY
		INCH	DN	[in]	[mm]	[in]	[mm]	
F7-4-FER	04	¼	6	0.63	16.0	1.16	29.5	300
F7-6-FER	06	⅜	10	0.83	21.0	1.26	32.1	150
F7-8-FER	08	½	12	1.02	26.0	1.29	32.7	100
F7-12-FER	12	¾	19	1.30	33.0	1.65	42.0	50

## F8-FER

R8 Hose Ferrule

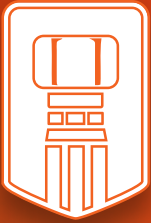


### USE WITH TEXCEL HOSE SERIES

TR8, TTR8, TNCR8

TWO-PIECE NO-SKIVE FERRULE

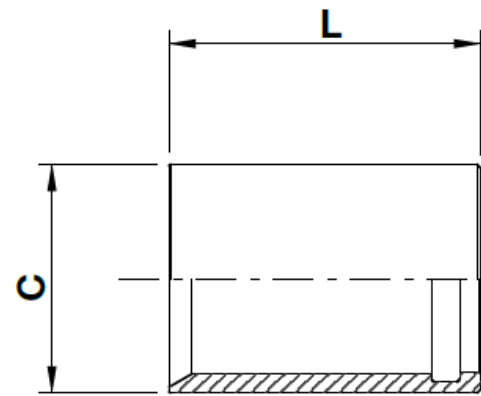
CODE	SIZE	HOSE		C		L		BOX QTY
		INCH	DN	[in]	[mm]	[in]	[mm]	
F8-4-FER	04	¼	6	0.75	19.0	1.14	29.0	250
F8-6-FER	06	⅜	10	0.94	24.0	1.26	32.0	150
F8-8-FER	08	½	12	1.12	30.0	1.26	32.0	150





# F14-FER

R14 Hose Ferrule



## USE WITH TEXCEL HOSE SERIES

BR14

TWO-PIECE NO-SKIVE FERRULE

CODE	SIZE	HOSE		C		L		BOX QTY
		INCH	DN	[in]	[mm]	[in]	[mm]	
F14-4-FER	04	¼	6	0.59	15.0	1.18	30.0	150
F14-6-FER	06	⅜	10	0.75	19.0	1.26	32.0	100
F14-8-FER	08	½	12	0.94	24.0	1.34	34.0	50
F14-10-FER	10	⅝	16	1.10	28.0	1.46	37.0	40
F14-12-FER	12	¾	19	1.18	30.0	1.61	41.0	25

## LOCATIONS

### Contact Information

Toll Free: 800.231.7116  
Fax: 800.759.4673  
sales@texcelrubber.com

### Corporate Headquarters

4444 Homestead Road  
Houston, Texas 77028  
Phone: 713.675.8590

## ADDITIONAL LOCATIONS

### Chicago

2725 Davey Road, Suite 400  
Woodridge, Illinois 60517

### Birmingham

236 Distribution Drive  
Homewood, Alabama 35209

### Newark

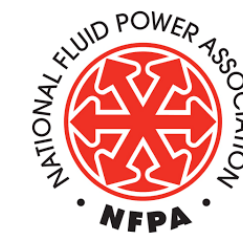
211 Executive Drive, Suite 9  
Newark, Delaware 19702

### Denver

2460 Airport Blvd., Suite 300  
Aurora, Colorado 80011

## TRADE ASSOCIATIONS

We feel that it's important to stay up-to-date on the latest news and events within the industry, as well as maintain memberships in leading industry organizations. As a result, we are honored to be a part of the following organizations, which represent the same values and standards that are so important to us here at Texcel.



# Ask Us About Our Other Great Products



**HYDRAULIC HOSE**  
FITTINGS  
CRIMPERS



**INDUSTRIAL HOSE**  
COUPLINGS  
ASSEMBLIES



**SHEET RUBBER**  
SKIRTBOARD  
CHANNEL RUBBER



**Ahead Of The Curve.**

Founding Member



800.231.7116 | sales@texcelrubber.com | Houston | Chicago | Delaware | Denver | Birmingham